

SHARP PARTS LIST

S9504AYXPC2CUT SPLIT TYPE ROOM AIR CONDITIONER

MODELS

	INDOOR UNIT	OUTDOOR UNIT
12K Btu/h models	AY-XPC12CU	AE-X12CU
	AY-XPC12CQ	AE-X12CU
	AY-XP12CHU	AE-X12CHU
	AY-XP12CHU-B	AE-X12CHU
15K Btu/h models	AY-XP15CU	AE-X15CU
	AY-XP15CU-B	AE-X15CU
18K Btu/h models	AY-XPC18CU	AE-X18CU
	AY-XPC18CU-B	AE-X18CU
24K Btu/h models	AY-XP18CHU	AE-X18CHU
	AY-XP24CU	AE-X24CU

CONTENTS

[1] INDOOR UNIT (AY-XPC12CU, AY-XPC12CQ)	[6] OUTDOOR UNIT (AE-X12CU)
- UNIT PARTS.....1	- UNIT PARTS..... 16
- PACKING PARTS.....3	- PACKING PARTS..... 19
[2] INDOOR UNIT (AY-XP12CHU, AY-XP18CHU).....4	[7] OUTDOOR UNIT (AE-X12CHU,AE-X15CU)
[3] INDOOR UNIT (AY-XP12CHU-B).....7	- UNIT PARTS.....20
[4] INDOOR UNIT (AY-XP15CU, AY-XPC18CU, AY-XP24CU)..... 10	- PACKING PARTS..... 23
[5] INDOOR UNIT (AY-XP15CU-B,AY-XPC18CU-B)..... 13	[8] OUTDOOR UNIT (AE-X18CU, AE-X18CHU, AE-X24CU)
	- UNIT PARTS.....24
	- PACKING PARTS..... 27

HOW TO ORDER REPLACEMENT PARTS

To have your order filled promptly and correctly, please furnish the following information.

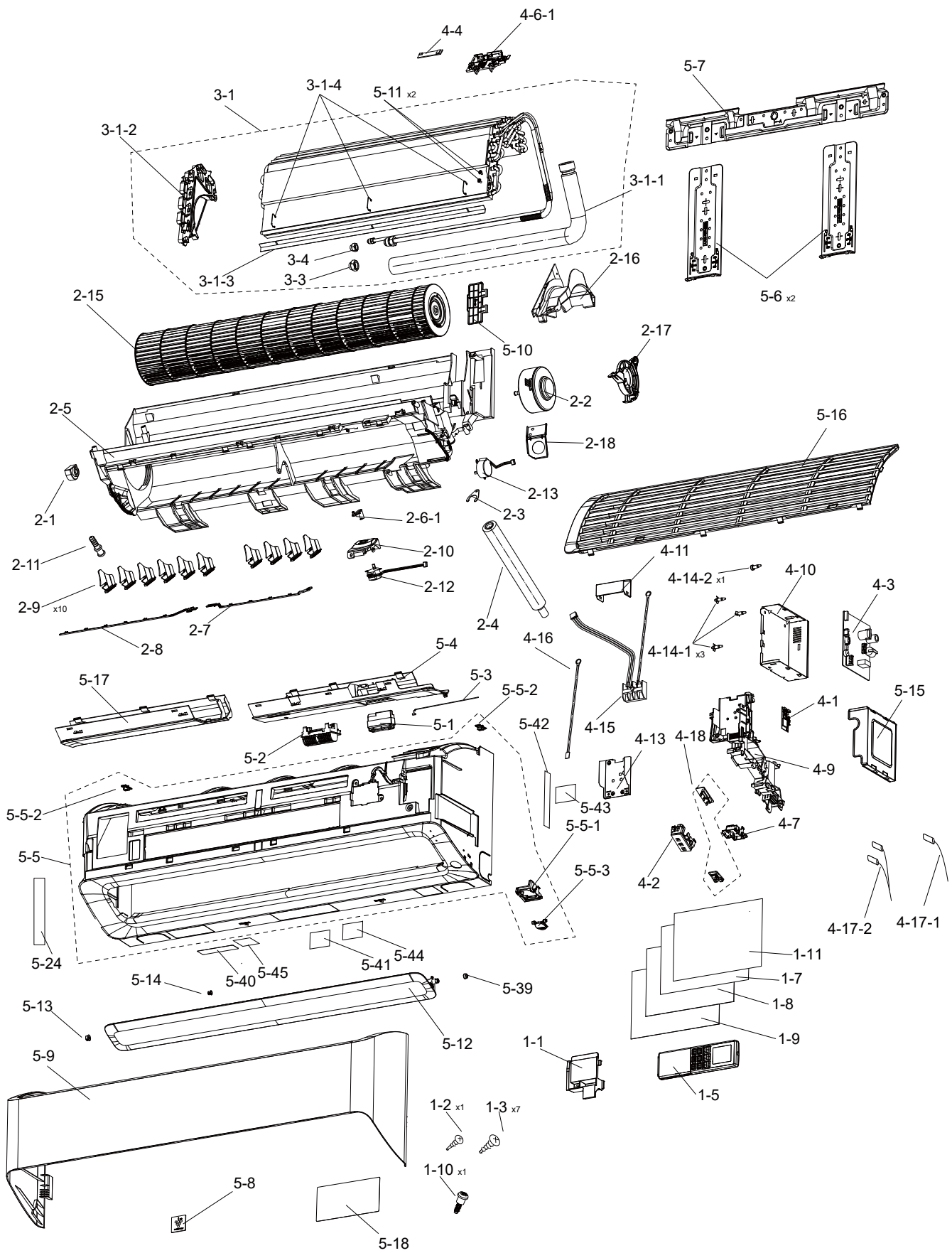
1. MODEL NUMBER
2. REF. NO.
3. PART NO.
4. DESCRIPTION.

Parts marked with "▲" are important for maintaining the safety of the set. Be sure to replace these parts with specified ones for maintaining the safety and performance of the set.

[1] INDOOR UNIT

(AY-XPC12CU, AY-XPC12CQ)

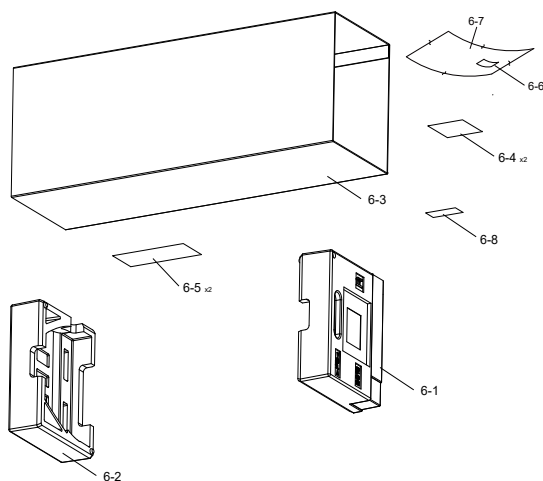
- UNIT PARTS



REF.No.	PARTS CODE	PRICE RANK	NEW MARK	DESCRIPTION
1-1	DHLD-A144JBKZ	AK		CORD HOLDER ASSY
1-2	XTTS740P20000	AF		TAPPING SCREW
1-3	XTTS745P30000	AC		TAPPING SCREW
1-5	CRMC-B221JBEZ	BC		REMOTE CONTROL
1-7	TINS-C068JBRZ	AK		INSTALLATION MANUAL
1-8	TINSEB174JBRZ	AK		WLAN OPERATION MANUAL
1-9	TINSEB186JBRZ	AR		OPERATION MANUAL
1-10	LX-BZA357JBEZ	AE		SPECIAL SCREW
1-11	TINS-C095JBRZ	AH		WARRANTY SHEET
2-1	CHLD-A221JBKZ	AE		BEARING ASS'Y
2-2	CMOT-A672JBKZ	BC		FAN MOTOR SUB ASS'Y
2-3	LPLT-A069JBPZ	AC		HOSE HOLDER
2-4	PHOS-A090JBEZ	AK		DRAIN HOSE
2-5	DSRA-A489JBKZ	BF		CABINET SUB ASS'Y
2-6-1	MARMPA105JBFA	AC		ARM MANUAL
2-7	MJNTPA236JBFA	AE		LOUVER LINK R
2-8	MJNTPA237JBFA	AE		LOUVER LINK L
2-9	MLOV-A661JBFA	AE		VERTICAL LOUVER
2-10	PDAI-A394JBFA	AE		MOTOR BRACKET
2-11	PGUMMA651JBEZ	AP		DRAIN PLUG
2-13	RMoT-A292JBZZ	AQ		LOUVER MOTOR
2-15	NFANCA146JBEZ	AW		CROSS FLOW FAN
2-16	PCOV-E029JBFZ	AL		SIDE COVER R
2-17	PCOV-E030JBFZ	AG		MOTOR COVER
2-18	PCOV-E024JBWZ	AM		CABLE HOLDER
3-1	CCYC-F339JBKZ	CA	N	CYCLE ASS'Y
3-1-1	PFPFPF402JBEZ	AG		PIPE DAN-S
3-1-2	PCOV-E031JBFZ	AG		SIDE COVER L
3-1-3	PSHE-A483JBEZ	AH		DRAIN GUIDE
3-1-4	LSPR-A028JBEZ	AY		DRAIN GUIDE SPRING
3-3	PSEN-A120JBKZ	AN		FLARE NUT ASS'Y
3-4	PSEN-A121JBKZ	AN		FLARE NUT ASS'Y
4-1	CPWB-A033JBKZ	BE		SERVICE-WIFI Z02
4-2	DHLD-A126JBKZ	AG		LED HOLDER R ASS'Y
4-3	DPWB-A497JBKZ	BP		CONTROL BOARD(Service)
4-4	FSGY-E705JBKZ	AK		SENSOR PWB-K
4-6-1	LHLD-B461JBFZ	AH		SENSOR HOLDER
4-7	LHLD-B507JBFZ	AE		RECEIVER HOLDER
4-9	LHLD-B511JBFA	AN		TERMINAL HOLDER
4-10	PBOX-A674JBWZ+	AM		CONTROL ANGLE
4-11	PCOV-C938JBWZ+	AG		TERMINAL COVER
4-13	PDAI-A395JBWZ+	AG		EARTH PLATE
4-14-1	PSPA-A238JBEZ	AC		SPACER
4-14-2	PSPA-A242JBEZ	AC		SPACER
4-15	QTANZA165JBZZ	AQ		TERMINAL BOARD
4-16	QW-VZH003JBZZ	AE		LEAD WIRE-E
4-17-2	RH-HXA311JBZZ	AQ		THERMISTOR
4-18	FSGY-E835JBKZ	AS		DISPLAY BOARD(Service)
5-1	CKITTA321AKKZ	BE		PLASMA CLUSTER UNIT
5-2	PCOV-C940JBFA	AG		PCI COVER
5-3	QW-VZG803JBZZ	AF		LEAD WIRE
5-4	CSTB-A047JBKZ	AN		STABILIZER R SUB ASSY

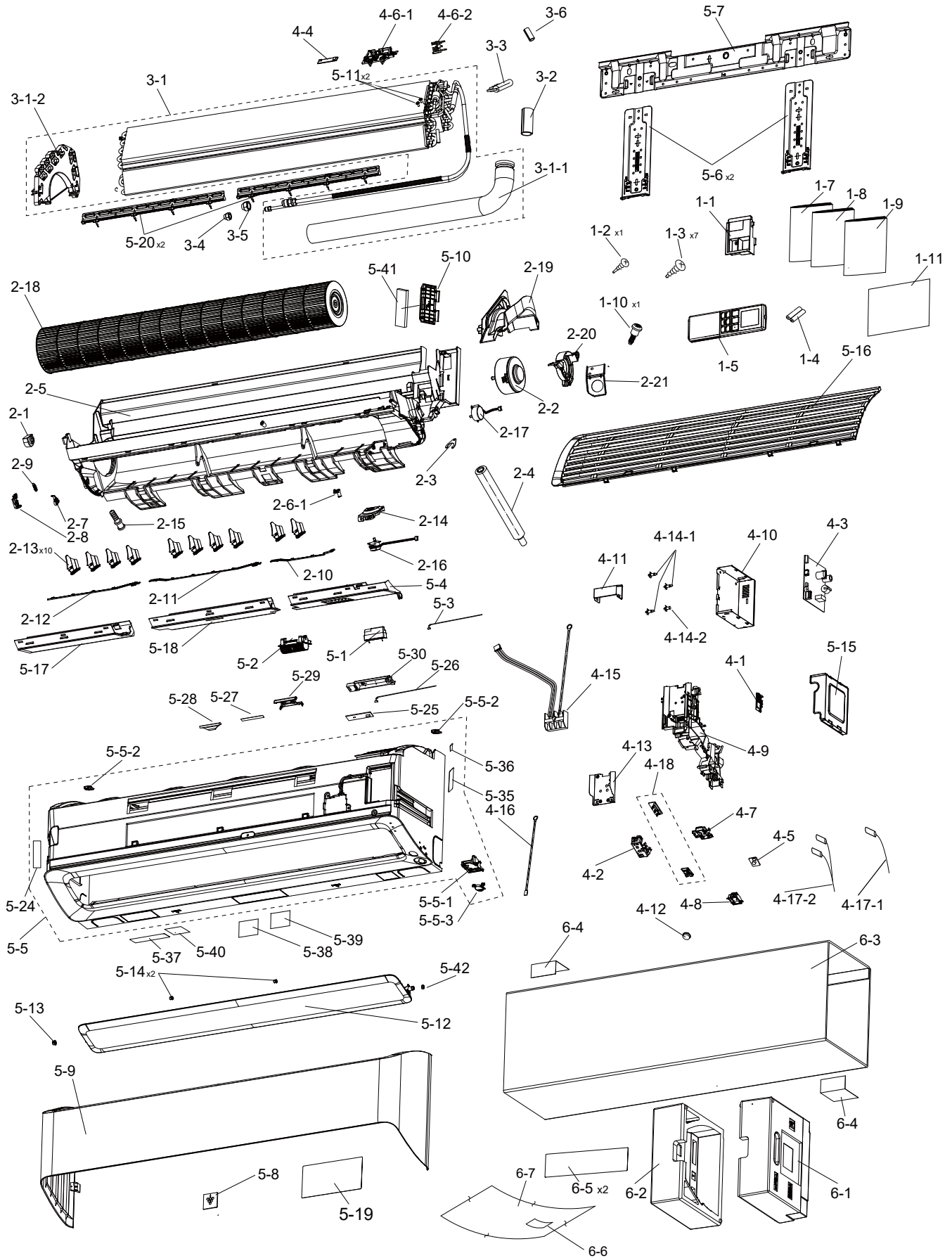
REF.No.	PARTS CODE	PRICE RANK	NEW MARK	DESCRIPTION
5-5	CWAK-E891JBKZ	BE		FRONT PANEL ASS'Y
5-5-1	LHLD-B509JBFZ	AE		BUTTON HOLDER
5-5-2	MLEV-A043JBFA	AD		PANEL LOCK
5-5-3	PCOV-C944JBFA	AE		RECEIVER COVER
5-6	PPLTNA169JBWZ	AL		MOUNTING ANGLE B
5-7	PPLTNA191JBWZ	AL		MOUNTING ANGLE A
5-8	HBDGBA001VBEB	AU		PC BADGE
5-9	HPNL-B698JBRA	BD		OPEN PANEL
5-10	LHLD-B510JBFZ	AE		PIPE HOLDER
5-11	LX-BZA075JBE0	AA		SPECIAL SCREW
5-12	MLoV-A662JBFA	AV		HORIZONTAL LOUVER
5-13	NBRG-A026JBFA	AB		LOUVER BUSHING
5-14	NBRG-A038JBFA	AC		BEARING C
5-15	PCOV-C939JBWZ+	AL		CONTROL BOX COVER
5-16	PFILMA329JBEA	AT		TOP GRILLE
5-17	PSTB-A020JBFA	AL		STABILIZER L
5-18	TLABCE518JBRZ	AH		WIRING DIAGRAM
5-24	TSPC-P785JBRA	AR	N	NAME LABEL [AY-XPC12CQ]
5-24	TSPC-P775JBRA	AR	N	NAME LABEL [AY-XPC12CU]
5-39	PCAP-A184JBEZ	AE		LOUVER CAP
5-40	TLAB-K181JBRZ	AG		CAUTION LABEL
5-41	TLAB-Q317JBRA	AM		FIRE LABEL
5-42	TCAUSA010JBRZ	AG		WARNING ELECTRIC
5-43	TCAUSA002JBRZ	AD		UL WARNING LABEL-2
5-44	TCAUSA008JBRZ	AG		WARNING FIRE
5-45	TCAUSA012JBRZ	AG		WARNING OZONE

- PACKING PARTS



REF.No.	PARTS CODE	PRICE RANK	NEW MARK	DESCRIPTION
6-1	CPADBA348JBKZ	AL		PACKING PAD R ASS'Y
6-2	SPADBB017JBEZ	AG		PAD L
6-3	SPAKCE883JBEZ	AM		PACKING CASE
6-4	TLABMK812JBRZ	AD	N	PRODUCT LABEL [AY-XPC12CQ]
6-4	TLABMK802JBRZ	AD	N	PRODUCT LABEL [AY-XPC12CU]
6-5	TLAB-Q279JBRZ	AE		NO CLAMP LABEL
6-6	TLABKG295JBRZ	AG		WARNING LABEL
6-7	SSAKAA144JBEZ	AF		BAG
6-8	TLAB-Q317JBRA	AM		FIRE LABEL

[2] INDOOR UNIT
 (AY-XP12CHU, AY-XP18CHU)
 - UNIT PARTS



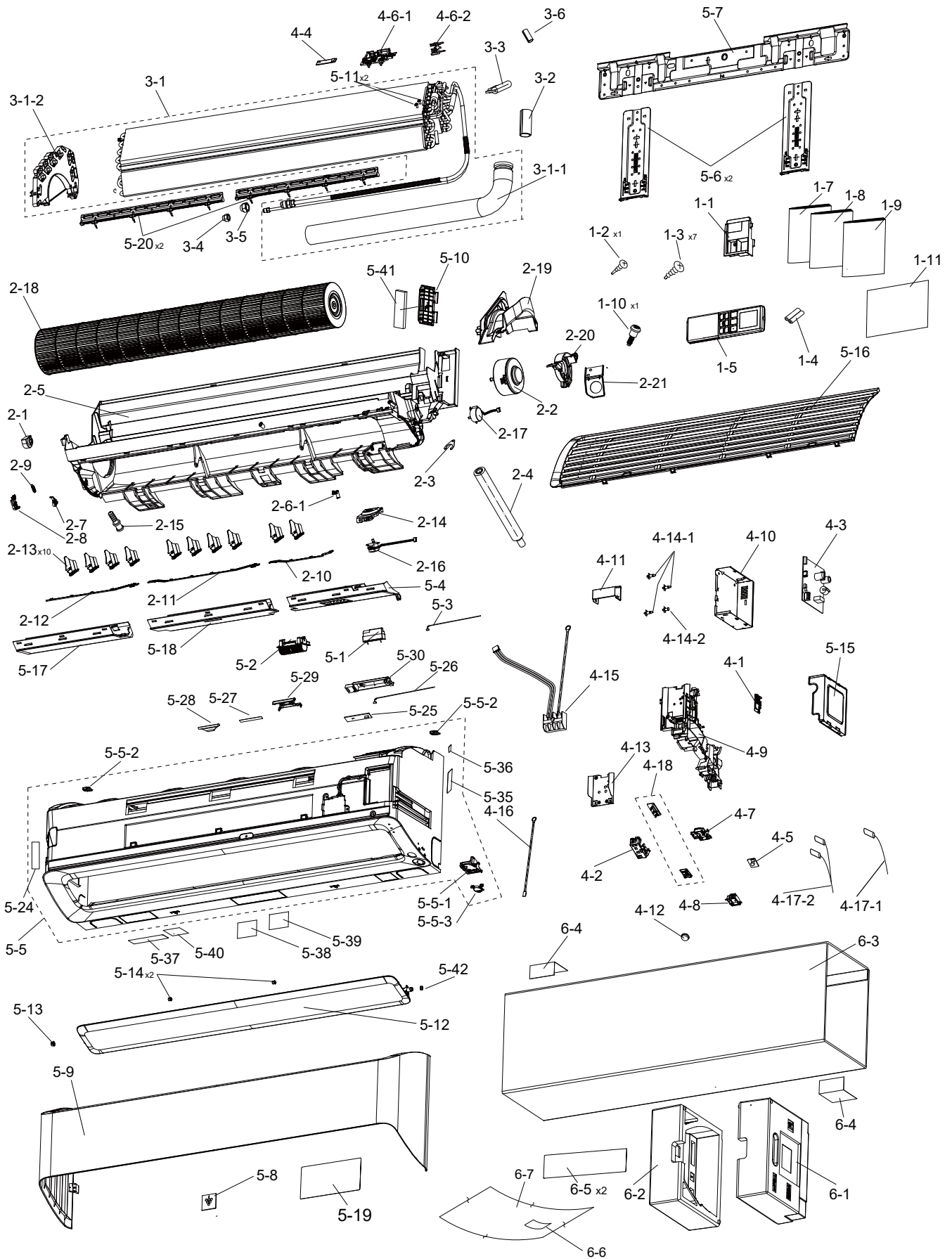
REF.No.	PARTS CODE	PRICE RANK	NEW MARK	DESCRIPTION
1-1	DHLD-A143JBKZ	AK		CORD HOLDER ASSY
1-2	XTTS740P20000	AF		TAPPING SCREW
1-3	XTTS745P30000	AC		TAPPING SCREW
1-4	UBATUA040JBEZ	AD		BATTERY PACK
1-5	CRMC-B221JBEZ	BC		REMOTE CONTROL
1-7	TINS-C068JBRZ	AK		INSTALLATION MANUAL
1-8	TINSEB174JBRZ	AK		WLAN OPERATION MANUAL
1-9	TINSEB186JBRZ	AR		OPERATION MANUAL
1-10	LX-BZA357JBEZ	AE		SPECIAL SCREW
1-11	TINS-C095JBRZ	AH		WARRANTY SHEET
2-1	CHLD-A221JBKZ	AE		BEARING ASS'Y
2-2	CMOT-A672JBKZ	BC		FAN MOTOR SUB ASS'Y
2-3	LPLT-A069JBPZ	AC		HOSE HOLDER
2-4	CHOS-A081JBKZ	AP		DRAIN HOSE
2-5	DSRA-A483JBKZ	BL		CABINET SUB ASS'Y
2-6-1	MARMPA106JBFA	AF		ARM AUTO
2-7	LHLD-B519JBFZ	AE		LOUVER LEVER
2-8	PCOV-C960JBFZ	AE		LEVER CASE
2-9	MSPR-A223JBEZ	AC		L SPRING
2-10	MJNTPA240JBFA	AE		LOUVER LINK R
2-11	MJNTPA239JBFA	AE		LOUVER LINK C
2-12	MJNTPA238JBFA	AE		LOUVER LINK L
2-13	MLOV-A664JBFA	AE		VERTICAL LOUVER
2-14	PDAI-A399JBFA	AF		MOTOR BRACKET
2-15	PGUMMA651JBEZ	AP		DRAIN PLUG
2-16	RMOT-A299JBZZ	AT		LOUVER MOTOR V
2-17	RMOT-A292JBZZ	AQ		LOUVER MOTOR
2-18	NFANCA187JBEZ	BA		CROSS FLOW FAN
2-19	PCOV-E034JBFZ	AL		SIDE COVER R
2-20	PCOV-E033JBFZ	AG		MOTOR COVER
2-21	PCOV-E024JBWZ	AM		CABLE HOLDER
3-1	CEVA-A348JBKZ	CG		EVAPORATOR ASS'Y
3-1-1	PFPFPF822JBEZ	AG		PIPE DAN-S
3-1-2	PCOV-E032JBFZ	AL		SIDE COVER L
3-2	PGUMSA487JBEZ	AC		DAMPER RUBBER
3-3	PGUMSA205JBE0	AC		DAMPER RUBBER
3-4	PSEN-A121JBKZ	AN		FLARE NUT ASS'Y
3-5	PSEN-A120JBKZ	AN		FLARE NUT ASS'Y
3-6	PGUMSA539JBEZ	AE		RUBBER
4-1	CPWB-A033JBKZ	BE		SERVICE-WIFI Z02
4-2	DHLD-A126JBKZ	AG		LED HOLDER R ASS'Y
4-3	DPWB-A495JBKZ	BP	N	CONTROL BOARD(Service)
4-4	FSGY-E705JBKZ	AK		SENSOR PWB-K
4-5	FSGY-E782JBKZ	AS		MOTION SENSOR BOARD
4-6-1	LHLD-B461JBFZ	AH		SENSOR HOLDER
4-7	LHLD-B507JBFZ	AE		RECEIVER HOLDER
4-8	LHLD-B508JBFZ	AE		MOTION SENSOR HOLDER
4-9	LHLD-B518JBFA	AQ		TERMINAL HOLDER
4-10	PBOX-A674JBWZ+	AM		CONTROL ANGLE
4-11	PCOV-C938JBWZ+	AG		TERMINAL COVER
4-12	PCOV-C946JBEZ	AH		SENSOR LENS
4-13	PDAI-A395JBWZ+	AG		EARTH PLATE

REF.No.	PARTS CODE	PRICE RANK	NEW MARK	DESCRIPTION
4-14-1	PSPA-A238JBEZ	AC		SPACER
4-14-2	PSPA-A242JBEZ	AC		SPACER
4-15	QTANZA165JBZZ	AQ		TERMINAL BORAD
4-16	QW-VZH003JBZZ	AE		LEAD WIRE(GROUND)
4-17-1	RH-HXA268JBZZ	AH		THERMISTOR
4-18	FSGY-E835JBKZ	AS		DISPLAY BOARD(Service)
5-1	CKITTA321AKKZ	BE		PLASMACLUSTER UNIT
5-2	PCOV-C940JBFA	AG		PCI COVER
5-3	QW-VZG803JBZZ	AF		LEAD WIRE
5-4	CSTB-A037JBKZ	AQ		STABILIZER R ASSY
5-5	CWAK-E838JBKZ	BL		FRONT PANEL ASS'Y
5-5-1	LHLD-B517JBFZ	AF		BUTTON HOLDER
5-5-2	MLEV-A045JBFA	AD		PANEL LOCK
5-5-3	PCOV-C958JBFA	AE		RECEIVER COVER [AY-XP12CHU, AY-XP18CHU]
5-6	PPLTNA169JBWZ	AL		MOUNTING ANGLE B
5-7	PPLTNA189JBWZ	AT		MOUNTING ANGLE A
5-8	HBDGBA004JBEB	AG		PCI BADGE
5-9	HPNL-B699JBRA	BD		OPEN PANEL
5-10	PCOV-C304JBFA	AE		PIPE HOLDER
5-11	LX-BZA075JBE0	AA		SPECIAL SCREW
5-12	MLOV-A665JBFA	AV		HORIZONTAL LOUVER
5-13	NBRG-A026JBFA	AB		LOUVER BUSHING
5-14	NBRG-A038JBFA	AC		BEARING C
5-15	PCOV-C939JBWZ+	AL		CONTROL BOX COVER
5-16	PFILMA330JBEA	AV		TOP GRILLE
5-17	CSTB-A034JBKZ	AQ		STABILIZER L ASSY
5-18	CSTB-A038JBKZ	AQ		STABILIZER C ASS'Y
5-19	TLABCE518JBRZ	AH		WIRING DIAGRAM
5-20	PCOV-E010JBFZ	AG		EVA COVER
5-24	TSPC-P777JBRA	AR	N	NAME LABEL [AY-XP12CHU]
5-24	TSPC-P781JBRA	AR	N	NAME LABEL [AY-XP18CHU]
5-25	FSGY-F030JBKZ	AQ		PCI LED UNIT
5-26	QW-VZH538JBZZ	AF		LEAD WIRE-PCI LED
5-27	PSHE-A435JBEA	AD		PCI-LED SHEET
5-28	PPLT-B169JBFA	AE		LIGHT GUIDE
5-29	PCOV-C719JBFA	AE		LIGHT GUIDE COVER
5-30	PCAS-A127JBFA	AG		LED CASE
5-36	TCAUSA002JBRZ	AD		UL WARNING LABEL-2
5-37	TLAB-G253JBEZ	AC		CAUTION LABEL
5-38	TLAB-Q317JBRA	AM		FIRE LABEL
5-39	TCAUSA008JBRZ	AG		WARNING FIRE
5-40	TCAUSA012JBRZ	AG		WARNING OZONE
5-41	PFPFPF852JBEZ	AC		INSULATOR
5-42	PCAP-A184JBEZ	AE		LOUVER CAP
6-1	SPADBB024JBEZ	AL		PAD R
6-2	SPADBB025JBEZ	AL		PAD L
6-3	SPAKCE891JBEZ	AQ		PACKING CASE
6-4	TLABMK804JBRZ	AD	N	PRODUCT LABEL [AY-XP12CHU]
6-4	TLABMK808JBRZ	AD	N	PRODUCT LABEL [AY-XP18CHU]
6-5	TLAB-Q279JBRZ	AE		NO CLAMP LABEL
6-6	TLABKG295JBRZ	AG		WARNING LABEL
6-7	SSAKAA249JBEZ	AG		BAG

[3] INDOOR UNIT

(AY-XP12CHU-B)

- UNIT PARTS



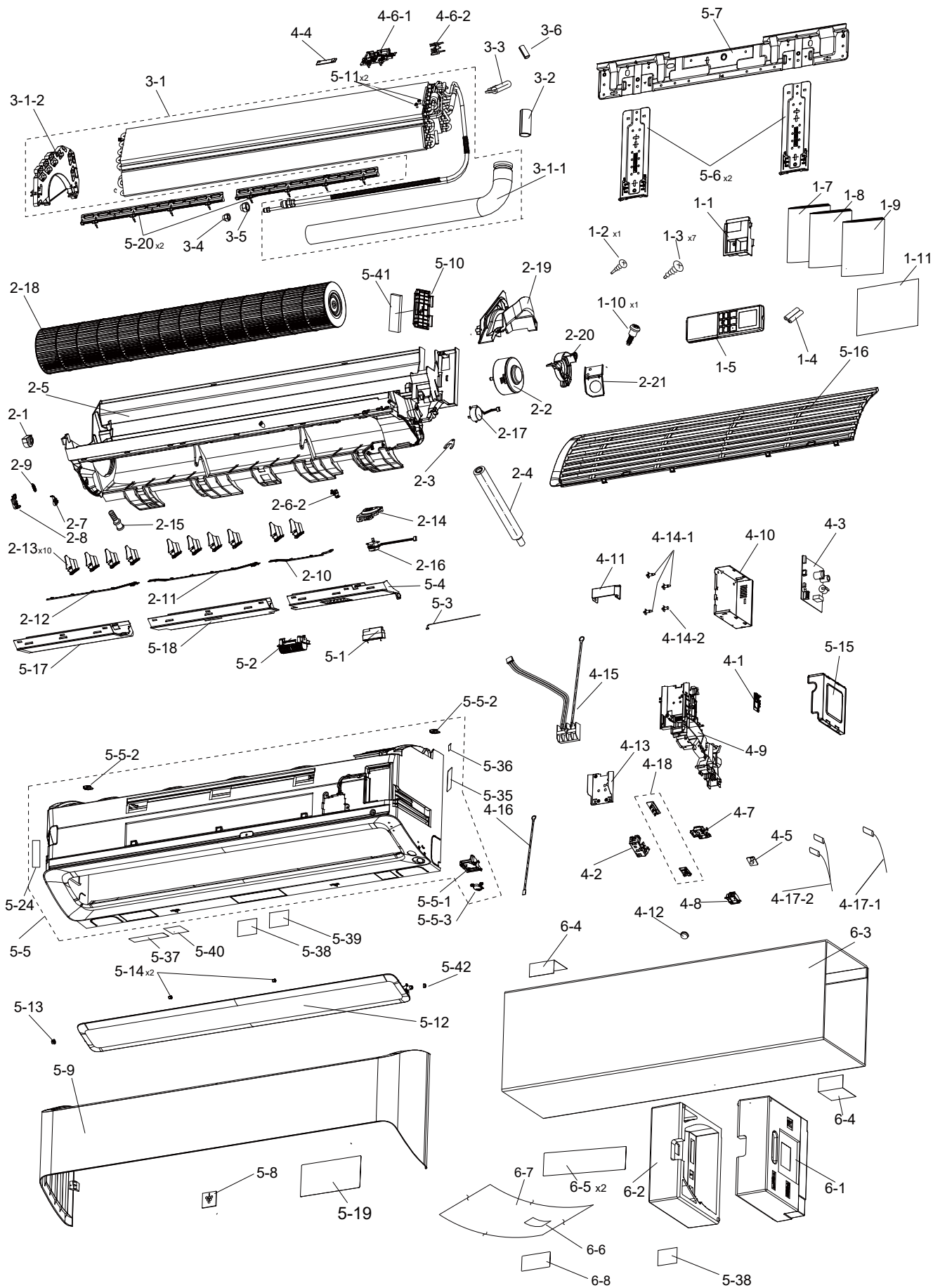
REF.No.	PARTS CODE	PRICE RANK	NEW MARK	DESCRIPTION
1-1	DHLD-A179JBKZ	AL		CORD HOLDER ASSY
1-2	XTTS740P20000	AF		TAPPING SCREW
1-3	XTTS745P30000	AC		TAPPING SCREW
1-4	UBATUA040JBEZ	AD		BATTERY PACK
1-5	CRMC-B221JBEZ	BC		REMOTE CONTROL
1-7	TINS-C068JBRZ	AK		INSTALLATION MANUAL
1-8	TINSEB174JBRZ	AK		WLAN OPERATION MANUAL
1-9	TINSEB186JBRZ	AR		OPERATION MANUAL
1-10	LX-BZA357JBEZ	AE		SPECIAL SCREW
1-11	TINS-C095JBRZ	AH		WARRANTY SHEET
2-1	CHLD-A221JBKZ	AE		BEARING ASS'Y
2-2	CMOT-A672JBKZ	BC		FAN MOTOR SUB ASS'Y
2-3	LPLT-A069JBPZ	AC		HOSE HOLDER
2-4	PHOS-A090JBEZ	AK		DRAIN HOSE
2-5	DSRA-A486JBKZ	BL		CABINET SUB ASS'Y
2-6-1	MARMPA106JBFA	AF		ARM AUTO
2-7	LHLD-B519JBFZ	AE		LOUVER LEVER
2-8	PCOV-C960JBFZ	AE		LEVER CASE
2-9	MSPR-A223JBEZ	AC		L SPRING
2-10	MJNTPA240JBFA	AE		LOUVER LINK R
2-11	MJNTPA239JBFA	AE		LOUVER LINK C
2-12	MJNTPA238JBFA	AE		LOUVER LINK L
2-13	MLOV-A664JBFA	AE		VERTICAL LOUVER
2-14	PDAI-A399JBFA	AF		MOTOR BRACKET
2-15	PGUMMA651JBEZ	AP		DRAIN PLUG
2-16	RMOT-A247JBZZ	AM		LOUVER MOTOR V
2-17	RMOT-A292JBZZ	AQ		LOUVER MOTOR
2-18	NFANCA187JBEZ	BA		CROSS FLOW FAN
2-19	PCOV-E034JBFZ	AL		SIDE COVER R
2-20	PCOV-E033JBFZ	AG		MOTOR COVER
2-21	PCOV-E024JBWZ	AM		CABLE HOLDER
3-1	CEVA-A348JBKZ	CG		EVAPORATOR ASS'Y
3-1-1	PFPFPF822JBEZ	AG		PIPE DAN-S
3-1-2	PCOV-E032JBFZ	AL		SIDE COVER L
3-2	PGUMSA487JBEZ	AC		DAMPER RUBBER
3-3	PGUMSA205JBE0	AC		DAMPER RUBBER
3-4	PSEN-A121JBKZ	AN		FLARE NUT ASS'Y
3-5	PSEN-A120JBKZ	AN		FLARE NUT ASS'Y
3-6	PGUMSA539JBEZ	AE		RUBBER
4-1	CPWB-A033JBKZ	BE		SERVICE-WIFI Z02
4-2	DHLD-A126JBKZ	AG		LED HOLDER R ASS'Y
4-3	DPWB-A495JBKZ	BP	N	CONTROL BOARD(Service)
4-4	FSGY-E705JBKZ	AK		SENSOR PWB-K
4-5	FSGY-E782JBKZ	AS		MOTION SENSOR BOARD
4-6-1	LHLD-B461JBFZ	AH		SENSOR HOLDER
4-7	LHLD-B507JBFZ	AE		RECEIVER HOLDER
4-8	LHLD-B508JBFZ	AE		MOTION SENSOR HOLDER
4-9	LHLD-B518JBFA	AQ		TERMINAL HOLDER
4-10	PBOX-A674JBWZ+	AM		CONTROL ANGLE
4-11	PCOV-C938JBWZ+	AG		TERMINAL COVER
4-12	PCOV-C946JBEZ	AH		SENSOR LENS
4-13	PDAI-A395JBWZ+	AG		EARTH PLATE

REF.No.	PARTS CODE	PRICE RANK	NEW MARK	DESCRIPTION
4-14-1	PSPA-A238JBEZ	AC		SPACER
4-14-2	PSPA-A242JBEZ	AC		SPACER
4-15	QTANZA165JBZZ	AQ		TERMINAL BORAD
4-16	QW-VZH003JBZZ	AE		LEAD WIRE(GROUND)
4-17-1	RH-HXA268JBZZ	AH		THERMISTOR
4-18	FSGY-E835JBKZ	AS		DISPLAY BOARD(Service)
5-1	CKITTA321AKKZ	BE		PLASMACLUSTER UNIT
5-2	PCOV-C940JBFA	AG		PCI COVER
5-3	QW-VZG803JBZZ	AF		LEAD WIRE
5-4	CSTB-A039JBKZ	AQ		STABILIZER R ASSY
5-5	CWAK-E938JBKZ	BG	N	FRONT PANEL ASS'Y
5-5-1	LHLD-B517JBFZ	AF		BUTTON HOLDER
5-5-2	MLEV-A045JBFA	AD		PANEL LOCK
5-5-3	PCOV-C966JBFB	AE		RECEIVER COVER
5-6	PPLTNA169JBWZ	AL		MOUNTING ANGLE B
5-7	PPLTNA189JBWZ	AT		MOUNTING ANGLE A
5-8	HBDGBA004JBEB	AG		PCI BADGE
5-9	HPNL-B735JBRB	BQ		OPEN PANEL
5-10	PCOV-C304JBFA	AE		PIPE HOLDER
5-11	LX-BZA075JBE0	AA		SPECIAL SCREW
5-12	MLOV-A665JBFA	AV		HORIZONTAL LOUVER
5-13	NBRG-A026JBFA	AB		LOUVER BUSHING
5-14	NBRG-A038JBFA	AC		BEARING C
5-15	PCOV-C939JBWZ+	AL		CONTROL BOX COVER
5-16	PFILMA330JBEA	AV		TOP GRILLE
5-17	CSTB-A036JBKZ	AQ		STABILIZER L ASSY
5-18	CSTB-A040JBKZ	AQ		STABILIZER C ASS'Y
5-19	TLABCE518JBRZ	AH		WIRING DIAGRAM
5-20	PCOV-E010JBFZ	AG		EVA COVER
5-24	TSPC-P784JBRA	AR	N	NAME LABEL
5-25	FSGY-F030JBKZ	AQ		PCI LED UNIT
5-26	QW-VZH538JBZZ	AF		LEAD WIRE-PCI LED
5-27	PSHE-A435JBEA	AD		PCI-LED SHEET
5-28	PPLT-B169JBFA	AE		LIGHT GUIDE
5-29	PCOV-C719JBFA	AE		LIGHT GUIDE COVER
5-30	PCAS-A127JBFA	AG		LED CASE
5-35	TCAUSA010JBRZ	AG		WARNING ELECTRIC
5-36	TCAUSA002JBRZ	AD		UL WARNING LABEL-2
5-37	TLAB-K567JBRZ	AK		CAUTION LABEL
5-38	TLAB-Q318JBRA	AM		FIRE LABEL
5-39	TCAUSA013JBRZ	AH		WARNING FIRE
5-40	TCAUSA014JBRZ	AH		WARNING OZONE
5-41	PFPPFF852JBEZ	AC		INSULATOR
5-42	PCAP-A184JBEZ	AE		LOUVER CAP
6-1	SPADBB024JBEZ	AL		PAD R
6-2	SPADBB025JBEZ	AL		PAD L
6-3	SPAKCE891JBEZ	AQ		PACKING CASE
6-4	TLABMK811JBRZ	AD	N	PRODUCT LABEL
6-5	TLAB-Q279JBRZ	AE		NO CLAMP LABEL
6-6	TLABKG295JBRZ	AG		WARNING LABEL
6-7	SSAKAA249JBEZ	AG		BAG

[4] INDOOR UNIT PARTS

(AY-XP15CU, AY-XPC18CU, AY-XP24CU)

- UNIT PARTS



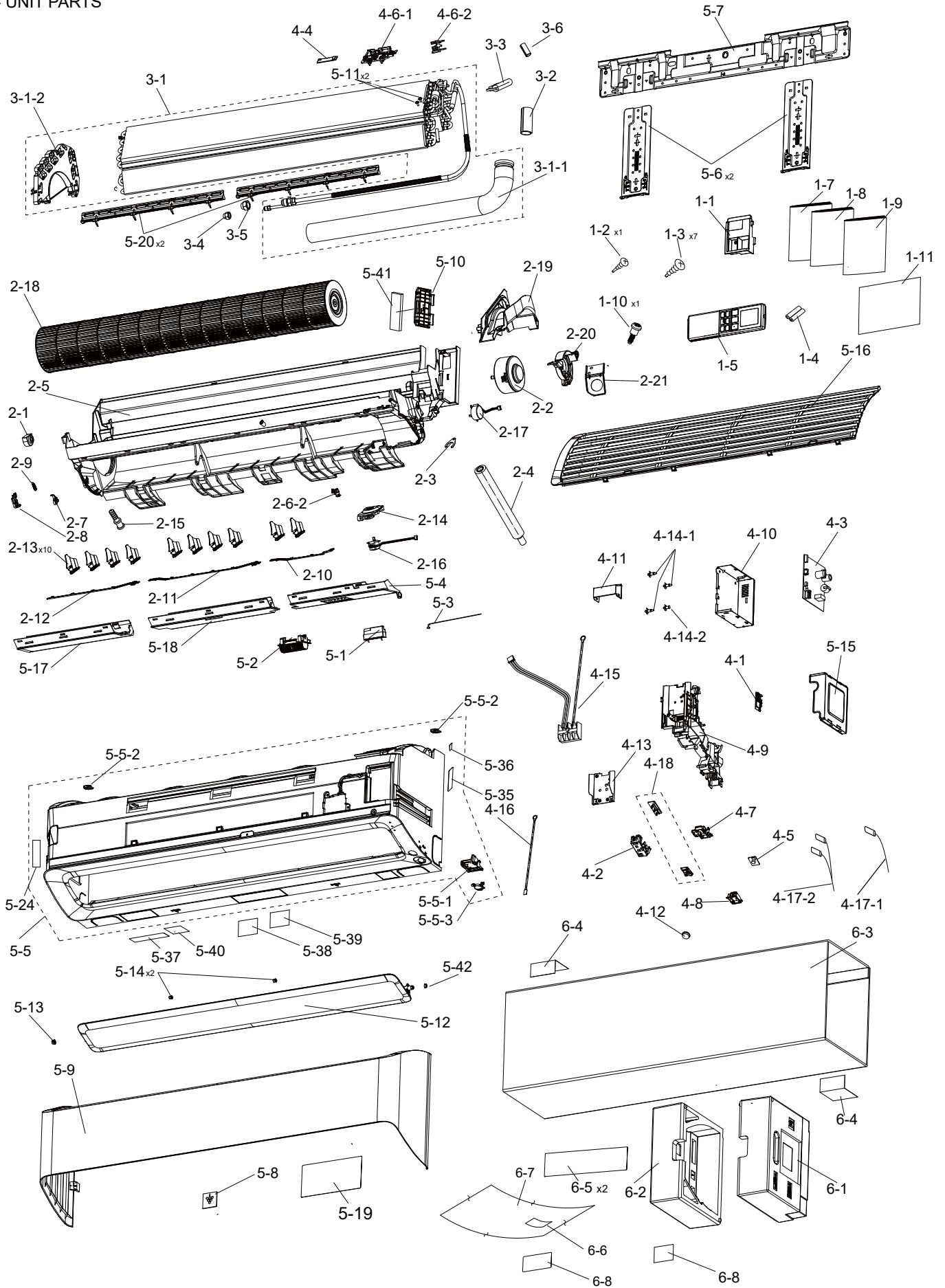
REF.No.	PARTS CODE	PRICE RANK	NEW MARK	DESCRIPTION
1-1	DHLD-A143JBKZ	AK		CORD HOLDER ASSY
1-2	XTTS740P20000	AF		TAPPING SCREW
1-3	XTTS745P30000	AC		TAPPING SCREW
1-5	CRMC-B221JBEZ	BC	N	REMOTE CONTROL
1-7	TINS-C068JBRZ	AK	N	INSTALLATION MANUAL
1-8	TINSEB174JBRZ	AK		WLAN OPERATION MANUAL
1-9	TINSEB186JBRZ	AR	N	OPERATION MANUAL
1-10	LX-BZA357JBEZ	AE		SPECIAL SCREW
1-11	TINS-C095JBRZ	AH	N	WARRANTY SHEET
2-1	CHLD-A221JBKZ	AE		BEARING ASS'Y
2-2	CMOT-A672JBKZ	BC		FAN MOTOR SUB ASS'Y
2-3	LPLT-A069JBPZ	AC		HOSE HOLDER
2-4	PHOS-A090JBEZ	AK		DRAIN HOSE
2-5	DSRA-A483JBKZ	BL		CABINET SUB ASS'Y
2-6-2	MARMPA107JBFA	AR		ARM MANUAL
2-7	LHLD-B519JBFZ	AE		LOUVER LEVER
2-8	PCOV-C960JBFZ	AE		LEVER CASE
2-9	MSPR-A223JBEZ	AC		L SPRING
2-10	MJNTPA240JBFA	AE		LOUVER LINK R
2-11	MJNTPA239JBFA	AE		LOUVER LINK C
2-12	MJNTPA238JBFA	AE		LOUVER LINK L
2-13	MLOV-A664JBFA	AE		VERTICAL LOUVER
2-14	PDAL-A399JBFA	AF		MOTOR BRACKET
2-15	PGUMMA651JBEZ	AP		DRAIN PLUG
2-17	RMOT-A292JBZZ	AQ		LOUVER MOTOR
2-18	NFANCA187JBEZ	BA		CROSS FLOW FAN
2-19	PCOV-E034JBFZ	AL		SIDE COVER R
2-20	PCOV-E033JBFZ	AG		MOTOR COVER
2-21	PCOV-E024JBWZ	AM		CABLE HOLER
3-1	CEVA-A348JBKZ	CG	N	EVAPORATOR ASS'Y
3-1-1	PFPPFF822JBEZ	AG		INSULATOR
3-1-2	PCOV-E032JBFZ	AL		SIDE COVER L
3-2	PGUMSA487JBEZ	AC		DAMPER RUBBER
3-3	PGUMSA205JBE0	AC		DAMPER RUBBER
3-4	PSEN-A121JBKZ	AN		FLARE NUT ASS'Y
3-5	PSEN-A120JBKZ	AN		FLARE NUT ASS'Y
3-6	PGUMSA539JBEZ	AE		RUBBER
4-1	CPWB-A033JBKZ	BE		SERVICE-WIFI Z02
4-2	DHLD-A126JBKZ	AG		LED HOLDER R ASS'Y
4-3	DPWB-A497JBKZ	BP	N	CONTROL BOARD(Service)
4-4	FSGY-E705JBKZ	AK		SENSOR PWB-K
4-6-1	LHLD-B461JBFZ	AH		SENSOR HOLDER
4-7	LHLD-B507JBFZ	AE		RECEIVER HOLDER
4-9	LHLD-B518JBFA	AQ		TERMINAL HOLDER
4-10	PBOX-A674JBWZ+	AM		CONTROL ANGLE
4-11	PCOV-C938JBWZ+	AG		TERMINAL COVER
4-13	PDAL-A395JBWZ+	AG		EARTH PLATE
4-14-1	PSPA-A238JBEZ	AC		SPACER
4-14-2	PSPA-A242JBEZ	AC		SPACER
4-15	QTANZA165JBZZ	AQ		TERMINAL BORAD
4-16	QW-VZH003JBZZ	AE		LEAD WIRE(GROUND)
4-17-2	RH-HXA311JBZZ	AQ		THERMISTOR

REF.No.	PARTS CODE	PRICE RANK	NEW MARK	DESCRIPTION
4-18	FSGY-E835JBKZ	AS		DISPLAY BOARD(Service)
5-1	CKITTA321AKKZ	BE		PLASMA CLUSTER UNIT
5-2	PCOV-C940JBFA	AG		PCI COVER
5-3	QW-VZG803JBZZ	AF		LEAD WIRE
5-4	CSTB-A037JBKZ	AQ		STABILIZER R ASSY
5-5	CWAK-E892JBKZ	BK		FRONT PANEL ASS'Y
5-5-1	LHLD-B517JBFZ	AF		BUTTON HOLDER
5-5-2	MLEV-A045JBFA	AD		PANEL LOCK
5-5-3	PCOV-C958JBFA	AE		RECEIVER COVER
5-6	PPLTNA169JBWZ	AL		MOUNTING ANGLE B
5-7	PPLTNA189JBWZ	AT		MOUNTING ANGLE A
5-8	HBDGBA004JBEB	AG		PCI BADGE
5-9	HPNL-B699JBRA	BD		OPEN PANEL
5-10	PCOV-C304JBFA	AE		PIPE HOLDER
5-11	LX-BZA075JBE0	AA		SPECIAL SCREW
5-12	MLOV-A665JBFA	AV		HORIZONTAL LOUVER
5-13	NBRG-A026JBFA	AB		LOUVER BUSHING
5-14	NBRG-A038JBFA	AC		BEARING C
5-15	PCOV-C939JBWZ+	AL		CONTROL BOX COVER
5-16	PFILMA330JBEA	AV		TOP GRILLE
5-17	CSTB-A034JBKZ	AQ		STABILIZER L ASSY
5-18	CSTB-A035JBKZ	AR		STABILIZER C ASSY
5-19	TLABCE518JBRZ	AH	N	WIRING DIAGRAM
5-20	PCOV-E010JBFZ	AG		EVA COVER
5-24	TSPC-P776JBRA	AR	N	NAME LABEL [AY-XP15CU]
5-24	TSPC-P780JBRA	AR	N	NAME LABEL [AY-XPC18CU]
5-24	TSPC-P778JBRA	AR	N	NAME LABEL [AY-XP24CU]
5-35	TCAUSA010JBRZ	AG		WARNING ELECTRIC
5-36	TCAUSA002JBRZ	AD		UL WARNING LABEL-2
5-37	TLAB-K181JBRZ	AG		CAUTION LABEL
5-38	TLAB-Q317JBRA	AM	N	FIRE LABEL
5-39	TCAUSA008JBRZ	AG		WARNING FIRE
5-40	TCAUSA012JBRZ	AG		WARNING OZONE
5-41	PPFPF852JBEZ	AC		INSULATOR
5-42	PCAP-A184JBEZ	AE		LOUVER CAP
6-1	SPADBB024JBEZ	AL		PAD R
6-2	SPADBB025JBEZ	AL		PAD L
6-3	SPAKCE891JBEZ	AQ		PACKING CASE
6-4	TLABMK803JBRZ	AD	N	PRODUCT LABEL [AY-XP15CU]
6-4	TLABMK807JBRZ	AD	N	PRODUCT LABEL [AY-XPC18CU]
6-4	TLABMK805JBRZ	AD	N	PRODUCT LABEL [AY-XP24CU]
6-5	TLAB-Q279JBRZ	AE		NO CLAMP LABEL
6-6	TLABKG295JBRZ	AG		WARNING LABEL
6-7	SSAKAA249JBEZ	AG		BAG
6-8	TLAB-Q317JBRA	AM		FIRE LABEL [AY-XPC18CU]

[5] INDOOR UNIT PARTS

(AY-XP15CU-B, AY-XPC18CU-B)

- UNIT PARTS



REF.No.	PARTS CODE	PRICE RANK	NEW MARK	DESCRIPTION
1-1	DHLD-A179JBKZ	AL		CORD HOLDER ASSY
1-2	XTTS740P20000	AF		TAPPING SCREW
1-3	XTTS745P30000	AC		TAPPING SCREW
1-5	CRMC-B221JBEZ	BC		REMOTE CONTROL
1-7	TINS-C068JBRZ	AK		INSTALLATION MANUAL
1-8	TINSEB174JBRZ	AK		WLAN OPERATION MANUAL
1-9	TINSEB186JBRZ	AR		OPERATION MANUAL
1-10	LX-BZA357JBEZ	AE		SPECIAL SCREW
1-11	TINS-C095JBRZ	AH		WARRANTY SHEET
2-1	CHLD-A221JBKZ	AE		BEARING ASS'Y
2-2	CMOT-A672JBKZ	BC		FAN MOTOR SUB ASS'Y
2-3	LPLT-A069JBPZ	AC		HOSE HOLDER
2-4	PHOS-A090JBEZ	AK		DRAIN HOSE
2-5	DSRA-A486JBKZ	BL		CABINET SUB ASS'Y
2-6-2	MARMPA107JBFC	AF		ARM MANUAL
2-7	LHLD-B519JBFZ	AE		LOUVER LEVER
2-8	PCOV-C960JBFZ	AE		LEVER CASE
2-9	MSPR-A223JBEZ	AC		L SPRING
2-10	MJNTPA240JBFC	AE		LOUVER LINK R
2-11	MJNTPA239JBFC	AE		LOUVER LINK C
2-12	MJNTPA238JBFC	AE		LOUVER LINK L
2-13	MLOV-A664JBFC	AE		VERTICAL LOUVER
2-14	PDAL-A399JBFC	AF		MOTOR BRACKET
2-15	PGUMMA651JBEZ	AP		DRAIN PLUG
2-17	RMOT-A292JBZZ	AQ		LOUVER MOTOR
2-18	NFANCA187JBEZ	BA		CROSS FLOW FAN
2-19	PCOV-E034JBFZ	AL		SIDE COVER R
2-20	PCOV-E033JBFZ	AG		MOTOR COVER
2-21	PCOV-E024JBWZ	AM		CABLE HOLER
3-1	CEVA-A348JBKZ	CG		EVAPORATOR ASS'Y
3-1-1	PFPFPF822JBEZ	AG		PIPE DAN-S
3-1-2	PCOV-E032JBFZ	AL		SIDE COVER L
3-2	PGUMSA487JBEZ	AC		DAMPER RUBBER
3-3	PGUMSA205JBE0	AC		DAMPER RUBBER
3-4	PSEN-A121JBKZ	AN		FLARE NUT ASS'Y
3-5	PSEN-A120JBKZ	AN		FLARE NUT ASS'Y
3-6	PGUMSA539JBEZ	AE		RUBBER
4-1	CPWB-A033JBKZ	BE		SERVICE-WIFI Z02
4-2	DHLD-A126JBKZ	AG		LED HOLDER R ASS'Y
4-3	DPWB-A497JBKZ	BP		CONTROL BOARD(Service)
4-4	FSGY-E705JBKZ	AK		SENSOR PWB-K
4-6-1	LHLD-B461JBFZ	AH		SENSOR HOLDER
4-7	LHLD-B507JBFZ	AE		RECEIVER HOLDER
4-9	LHLD-B518JBFA	AQ		TERMINAL HOLDER
4-10	PBOX-A674JBWZ+	AM		CONTROL ANGLE
4-11	PCOV-C938JBWZ+	AG		TERMINAL COVER
4-13	PDAL-A395JBWZ+	AG		EARTH PLATE
4-14-1	PSPA-A238JBEZ	AC		SPACER
4-14-2	PSPA-A242JBEZ	AC		SPACER
4-15	QTANZA165JBZZ	AQ		TERMINAL BORAD
4-16	QW-VZH003JBZZ	AE		LEAD WIRE-E
4-17-2	RH-HXA311JBZZ	AQ		THERMISTOR

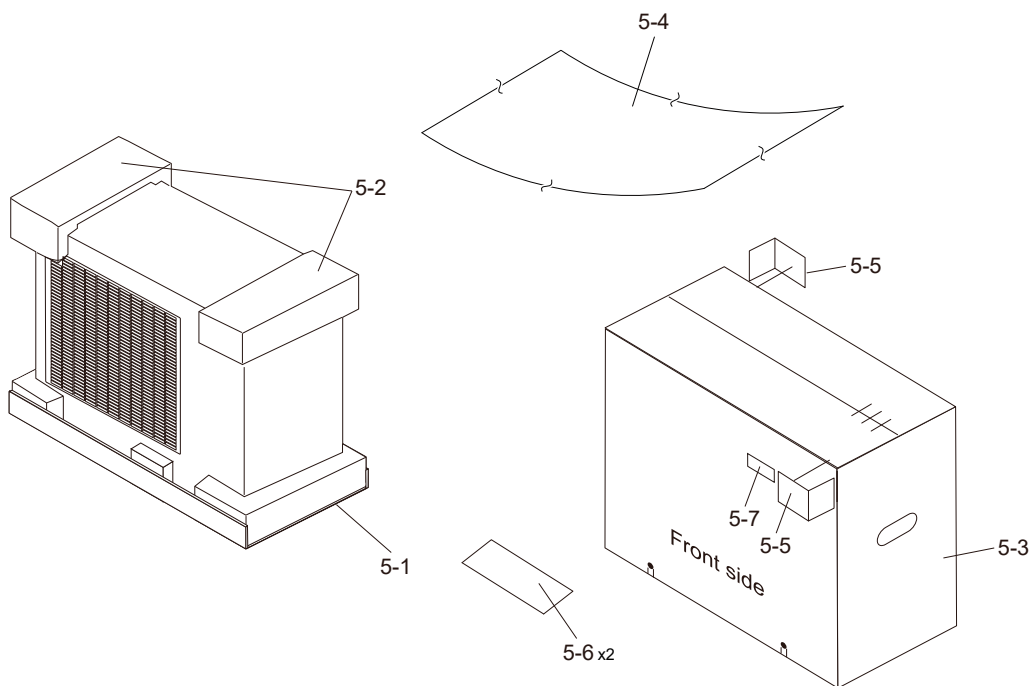
REF.No.	PARTS CODE	PRICE RANK	NEW MARK	DESCRIPTION
4-18	FSGY-E835JBKZ	AS		DISPLAY BOARD(Service)
5-1	CKITTA321AKKZ	BE		PLASMA CLUSTER UNIT
5-2	PCOV-C940JBFC	AG		PCI COVER
5-3	QW-VZG803JBZZ	AF		LEAD WIRE
5-4	CSTB-A039JBKZ	AQ		STABILIZER R ASSY
5-5	CWAK-E930JBKZ	BM		FRONT PANEL ASS'Y
5-5-1	LHLD-B517JBFZ	AF		BUTTON HOLDER
5-5-2	MLEV-A045JBFA	AD		PANEL LOCK
5-5-3	PCOV-C966JBFB	AE		RECEIVER COVER
5-6	PPLTNA169JBWZ	AL		MOUNTING ANGLE B
5-7	PPLTNA189JBWZ	AT		MOUNTING ANGLE A
5-8	HBDGBA004JBEB	AG		PCI BADGE
5-9	HPNL-B735JBRB	BQ		OPEN PANEL
5-10	PCOV-C304JBFA	AE		PIPE HOLDER
5-11	LX-BZA075JBE0	AA		SPECIAL SCREW
5-12	MLOV-A665JBFC	AV		HORIZONTAL LOUVER
5-13	NBRG-A026JBFQ	AQ		LOUVER BUSHING
5-14	NBRG-A038JBFR	AQ		BEARING C
5-15	PCOV-C939JBWZ+	AL		CONTROL BOX COVER
5-16	PFILMA330JBEC	AV		TOP GRILLE
5-17	CSTB-A036JBKZ	AQ		STABILIZER L
5-18	CSTB-A104JBKZ	AN		STABILIZER C
5-19	TLABCE518JBRZ	AH		WIRING DIAGRAM
5-20	PCOV-E010JBFZ	AG		EVA COVER
5-24	TSPC-P782JBRA	AR	N	NAME LABEL [AY-XP15CU-B]
5-24	TSPC-P783JBRA	AR	N	NAME LABEL [AY-XPC18CU-B]
5-35	TCAUSA010JBRZ	AG		WARNING ELECTRIC
5-36	TCAUSA002JBRZ	AD		UL WARNING LABEL-2
5-37	TLAB-K567JBRZ	AK		CAUTION LABEL
5-38	TLAB-Q318JBRA	AM	N	FIRE LABEL
5-39	TCAUSA013JBRZ	AH		WARNING FIRE
5-40	TCAUSA014JBRZ	AH		WARNING OZONE
5-41	PFPPPF852JBEZ	AC		INSULATOR
5-42	PCAP-A184JBEZ	AE		LOUVER CAP
6-1	SPADBB024JBEZ	AL		PAD R
6-2	SPADBB025JBEZ	AL		PAD L
6-3	SPAKCE891JBEZ	AQ		PACKING CASE
6-4	TLABMK809JBRZ	AD	N	PRODUCT LABEL [AY-XP15CU-B]
6-4	TLABMK810JBRZ	AD	N	PRODUCT LABEL [AY-XPC18CU-B]
6-5	TLAB-Q279JBRZ	AE		NO CLAMP LABEL
6-6	TLABKG295JBRZ	AG		WARNING LABEL
6-7	SSAKAA249JBEZ	AG		BAG
6-8	TLAB-Q317JBRA	AM		FIRE LABEL [AY-XPC18CU-B]

REF.No.	PARTS CODE	PRICE RANK	NEW MARK	DESCRIPTION
COVER AND UNIT PARTS				
1-1-1	PFPFPE338JBEZ	AD		CUSHION
1-1-3	LANGKA327JBTA	AT		FAN MOTOR ANGLE
1-1-4	CMOTLB656JBEZ	BC		FAN MOTOR
1-2	NFANPA159JBEZ	AT		PROPELLER FAN
1-3	CCAB-A762JBKZ	BE		FRONT PANEL ASS'Y
1-3-1	GGADFA055JBFA	AY		FAN GUARD
1-3-2	GCAB-A442JBTA	BF		FRONT PANEL
1-3-7	PSEL-C048JBEZ	AC		F.PANEL INSULATOR
1-3-8	PSEL-C049JBEZ	AC		F.PANEL INSULATOR
1-3-9	PSEL-F068JBEZ	AC		SEAL
1-3-10	PSEL-E714JBEZ	AD		BULKHEAD INSULATOR
1-3-11	PSEL-E255JBEZ	AC		BASE PAN SEAL B
1-4	PCOV-C019JBTA	AN		CABLE COVER
1-5	CSKR-A643JBKZ	AY		BULKHEAD ASS'Y
1-6	PCOV-E026JBFA	AN		VALVE COVER
1-7	LHLD-B221JBTA	AG		CABLE HOLDER
1-8	CPLT-A370JBKZ	AY		SIDE COVER R ASS'Y
1-8-2	PSEL-E806JBEZ	AC		SIDE COVER INSULATOR
1-8-3	PSEL-F061JBEZ	AH		SEAL
1-9	TLAB-F748JBRZ	AF		UL COPPER WIRE LABEL
1-11-1	JHNDPA050JBFA	AG		HANDLE
1-11-2	PPLT-B278JBTA	AX		SIDE COVER L
1-11-3	PSEL-E998JBEZ	AC		SIDE COVER L SEAL
1-12	DCAB-A203JBKZ	AS		TOP COVER ASS'Y
1-12-1	PSEL-E814JBEZ	AC		INSULATOR
1-12-2	PSEL-E813JBEZ	AC		INSULATOR
1-13	LHLD-B554JBFA	AG		THERMISTOR HOLDER
1-14	MSPR-A026JBE0	AB		SPRING
1-15	MSPR-A027JBE0	AB		THERMISTOR SPRING
1-16	MSPR-A207JBEZ	AF		SPRING
1-17	TLABMJ441JBRA	AG		INVERTER LABEL
1-18	TSPC-P768JBRZ	AR	N	NAME LABEL
1-19	PSEL-E278JBEZ	AC		SEAL
1-20	TLAB-F696JBRZ	AF		CAUTION LABEL UL
1-21	PSEL-F081JBEZ	AH		SEAL
1-22	GGAD-A084JBTA	AY		WIRED GUARD
1-23	PSEL-E943JBEZ	AD		THERMISTOR SEAL
1-24	PSPF-B569JBEZ	AD		COMPRESSOR COVER TOP
1-25	PSPF-B333JBEZ	AN		COMPRESSOR COVER
1-26	TLABBA291JBRA	AK		PCI LABEL
1-27	TLAB-Q317JBRA	AM		FIRE LABEL
1-28	TCAUSA011JBRZ	AG		WARNING COMPRESSOR
1-29	TCAUSA008JBRZ	AG		WARNING FIRE
1-30	TLAB-Q293JBEZ	AH	N	ENERGY LABEL
1-31	TINS-C066JBRZ	AK		INSTALLATION MANUAL
CONTROL UNIT PARTS				
2-1	TLABCE460JBRZ	AF		WIRING DIAGRAM
2-2	PCOV-B716JBWZ	AR		COVER
2-3	LHLD-B195JBFA	AQ		HOLDER
2-4	DSGY-J403JBKZ	BX	N	CONTROL BOARD UNIT(SERVICE)
2-5	RFIL-A149JBEZ	AF		FERRITE CORE

REF.No.	PARTS CODE	PRICE RANK	NEW MARK	DESCRIPTION
2-6	LHLD-B585JBFA	AG		HOLDER
2-7	DBOX-A086JBYZ	AT		CONTROL BOX ASS'Y
2-8	QW-VZH384JBZZ	AD		EARTH WIRE
2-9	PDAI-A295JBWZ	AH		TERMINAL HOLDER
2-10	QTANZA091JBZZ	AU		TERMINAL BOARD
2-11	PFPFPE565JBEZ	AC		CUSHION
2-12	PSEL-C684JBEZ	AB		SEAL
2-13	PSEL-E255JBEZ	AC		BASE PAN SEAL B
2-14	PSEL-C686JBEZ	AC		SEAL
2-15	PSEL-E461JBEZ	AC		SEAL
2-16	PSEL-E462JBEZ	AC		SEAL
2-17	PSEL-C767JBEZ	AB		SEAL
2-18	PSEL-C769JBEZ	AB		SEAL
2-19	PSEL-E912JBEZ	AC		SEAL
2-20	PSEL-E913JBEZ	AC		SEAL
2-21	RCILZA090JBZZ	AU		REACTOR
2-22	RH-HXA328JBZZ	AX		THERMISTOR
2-23	QW-IZA207JBZZ	AN		LEAD WIRE
CYCLE UNIT PARTS				
3-1-1	PCMPRA814JBEZ	BW		COMPRESSOR
3-1-2	PCOV-C854JBEZ	AP		TERMINAL COVER
3-1-3	PGUM-A292JBEZ	AP		TERMINAL GASKET
3-2	DCON-B017JBPZ	CF		CONDENSER
3-3	CVLV-B657JBKZ	BQ		REVERSE VALVE ASS'Y
3-3-1	CCIL-A209JBKZ	BD		COIL ASS'Y
3-3-2	PFPFPF483JBEZ	AE		SUCTION INSULATOR
3-4	DVLV-B729JBKZ	BB		EXPAN.VALVE ASS'Y
3-4-1	PGUMSA476JBEZ	AD		DAMPER RUBBER
3-5	RMOTSA077JBZZ	AY		VALVE MOTOR
3-6-1	PDAI-A406JBTA	AX		FLARE COUPLING BASE
3-6-2	DVLV-B946JBKZ	AT		2WAY VALVE UNIT
3-6-3	DVLV-B620JBKZ	AS		3WAY VALVE UNIT
3-7	PCAP-A006JBF0	AC		NUT BONNET
3-8	PCAP-A007JBF0	AB		NUT BONNET
3-9	GLEG-A162JBEZ	AF		COMPRESSOR CUSHION
3-10	CPIPCC350JBKZ	AV		HEAT TUBE ASS'Y
3-11	CCHS-B821JBKZ	BE		BASE PAN ASS'Y
3-11-1	CCHS-B715JBTA	BE		BASE PAN ASS'Y
3-11-2	PFPFPF480JBEZ	AC		BASE PAN INSU. A
3-11-3	PFPFPF481JBEZ	AC		BASE PAN INSU. C
3-11-4	PFPFPF482JBEZ	AC		BASE PAN INSU. B
3-11-5	PGUM-A219JBEZ	AG		TUBE HOLDER RUBBER
3-12	PFPFPF501JBEZ	AD		COMPRESSOR INSU. A
3-13	PFPFPF502JBEZ	AD		COMPRESSOR INSU. B
3-14	PSEL-E942JBEZ	AE		CONDENSER SEAL
3-16	PGUM-A298JBEZ	AG		DAMPER RUBBER
3-17	PSEL-E938JBEZ	AF		BASE PAN SEAL
3-18	PGUMSA501JBEZ	AC		DAMPER RUBBER
SCREW AND NUT				
4-1	LX-BZA493JBEZ	AE		SPECIAL SCREW
4-2	LX-BZA570JBEZ	AC		SPECIAL SCREW
4-3	LX-NZA428JBEZ	AC		SPECIAL NUT

REF.No.	PARTS CODE	PRICE RANK	NEW MARK	DESCRIPTION
4-4	XCPS730P10XS0	AD		TAPPING SCREW
4-5	XQTS740P08000	AA		TAPPING SCREW
4-6	XCPS740P30000	AC		TAPPING SCREW
4-7	XCPS740P06000	AC		TAPPING SCREW
4-10	LX-BZA498JBEZ	AC		SPECIAL SCREW
4-13	LX-NZA476JBEZ	AC		FRANGE NUT
4-14	XNFS760-50000	AB		NUT
4-15	LX-WZA057JBEZ	AC		WASHER 22
4-16	LX-NZA250JBEZ	AE		FLARE NUT 1/4
4-17	LX-BZA494JBEZ	AE		SPECIAL SCREW
4-18	LX-NZA473JBEZ	AK		BONNET
4-19	LX-NZA502JBEZ	AG		FLARE NUT
4-20	LX-NZA500JBEZ	AH		BONNET
4-21	LX-NZA501JBEZ	AH		SERVICE NUT

- PACKING PARTS



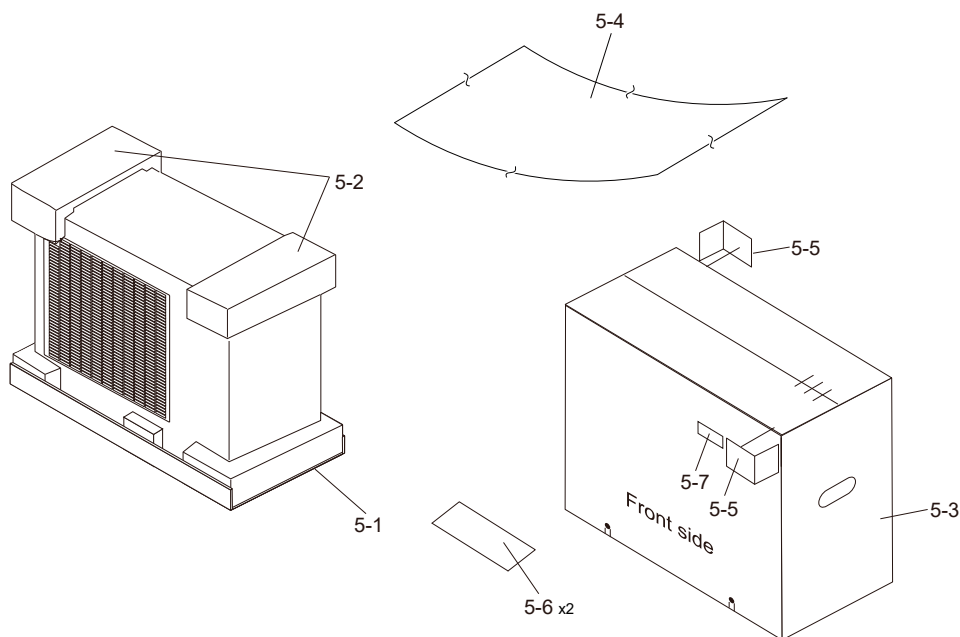
REF.No.	PARTS CODE	PRICE RANK	NEW MARK	DESCRIPTION
PACKING PARTS				
5-1	CPADBA242JBKZ	AN		BOTTOM PAD ASS'Y
5-2	CPADBA032JBKZ	AL		PACKING PAD ASS'Y
5-3	SPAKCE236JBEZ	AV		PACKING CASE
5-4	SPADP0300YDE0	AB		BAG
5-5	TLABMK795JBRZ	AD	N	PRODUCT LABEL
5-6	TLAB-Q279JBRZ	AE		NO CLAMP LABEL
5-7	TLAB-Q317JBRA	AM		FIRE LABEL

REF.No.	PARTS CODE	PRICE RANK	NEW MARK	DESCRIPTION
COVER AND UNIT PARTS				
1-1-1	PFPFPE338JBEZ	AD		CUSHION
1-1-3	LANGKA327JBTA	AT		FAN MOTOR ANGLE
1-1-4	CMOTLB656JBEZ	BC		FAN MOTOR
1-2	NFANPA159JBEZ	AT		PROPELLER FAN
1-3	CCAB-A762JBKZ	BE		FRONT PANEL ASS'Y
1-3-1	GGADFA055JBFA	AY		FAN GUARD
1-3-2	GCAB-A442JBTA	BF		FRONT PANEL
1-3-7	PSEL-C048JBEZ	AC		F.PANEL INSULATOR
1-3-8	PSEL-C049JBEZ	AC		F.PANEL INSULATOR
1-3-9	PSEL-F068JBEZ	AC		SEAL
1-3-10	PSEL-E714JBEZ	AD		BULKHEAD INSULATOR
1-3-11	PSEL-E255JBEZ	AC		BASE PAN SEAL B
1-4	PCOV-C019JBTA	AN		CABLE COVER
1-5	CSKR-A643JBKZ	AY		BULKHEAD ASS'Y
1-6	PCOV-E026JBFA	AN		VALVE COVER
1-7	LHLD-B221JBTA	AG		CABLE HOLDER
1-8	CPLT-A370JBKZ	AY		SIDE COVER R ASS'Y
1-8-2	PSEL-E806JBEZ	AC		SIDE COVER INSULATOR
1-8-3	PSEL-F061JBEZ	AH		SEAL
1-9	TLAB-F748JBRZ	AF		UL COPPER WIRE LABEL
1-11-1	JHNDPA050JBFA	AG		HANDLE
1-11-2	PPLT-B278JBTA	AX		SIDE COVER L
1-11-3	PSEL-E998JBEZ	AC		SIDE COVER L SEAL
1-12	DCAB-A203JBKZ	AS		TOP COVER ASS'Y
1-12-1	PSEL-E814JBEZ	AC		INSULATOR
1-12-2	PSEL-E813JBEZ	AC		INSULATOR
1-13	LHLD-B554JBFA	AG		THERMISTOR HOLDER
1-14	MSPR-A026JBE0	AB		SPRING
1-15	MSPR-A027JBE0	AB		THERMISTOR SPRING
1-16	MSPR-A207JBEZ	AF		SPRING
1-17	TLABMJ441JBRA	AG		INVERTER LABEL
1-18	TSPC-P770JBRZ	AR	N	NAME LABEL [AE-X12CHU]
1-18	TSPC-P769JBRZ	AR	N	NAME LABEL [AE-X15CU]
1-19	PSEL-E278JBEZ	AC		SEAL
1-20	TLAB-F696JBRZ	AF		CAUTION LABEL UL
1-21	PSEL-F081JBEZ	AH		SEAL
1-22	GGAD-A084JBTA	AY		WIRED GUARD
1-23	PSEL-E943JBEZ	AD		THERMISTOR SEAL
1-24	PSPF-B569JBEZ	AD		COMPRESSOR COVER TOP
1-25	PSPF-B333JBEZ	AN		COMPRESSOR COVER
1-26	TLABBA291JBRA	AK		PCI LABEL
1-27	TLAB-Q317JBRA	AM		FIRE LABEL
1-28	TCAUSA011JBRZ	AG		WARNING COMPRESSOR
1-29	TCAUSA008JBRZ	AG		WARNING FIRE
1-30	TLAB-Q295JBEZ	AH	N	ENERGY LABEL [AE-X12CHU]
1-30	TLAB-Q294JBEZ	AH	N	ENERGY LABEL [AE-X15CU]
1-31	TINS-C066JBRZ	AK		INSTALLATION MANUAL
CONTROL UNIT PARTS				
2-1	TLABCE460JBRZ	AF		WIRING DIAGRAM
2-2	PCOV-B716JBWZ	AR		COVER
2-3	LHLD-B195JBFA	AQ		HOLDER

REF.No.	PARTS CODE	PRICE RANK	NEW MARK	DESCRIPTION
2-4	DSGY-J403JBKZ	BX		CONTROL BOARD UNIT(SERVICE)
2-5	RFIL-A149JBEZ	AF		FERRITE CORE
2-6	LHLD-B585JBFA	AG		HOLDER
2-7	DBOX-A086JBYZ	AT		CONTROL BOX ASS'Y
2-8	QW-VZH384JBZZ	AD		EARTH WIRE
2-9	PDAI-A295JBWZ	AH		TERMINAL HOLDER
2-10	QTANZA091JBZZ	AU		TERMINAL BOARD
2-11	PFPFPE565JBEZ	AC		CUSHION
2-12	PSEL-C684JBEZ	AB		SEAL
2-13	PSEL-E255JBEZ	AC		BASE PAN SEAL B
2-14	PSEL-C686JBEZ	AC		SEAL
2-15	PSEL-E461JBEZ	AC		SEAL
2-16	PSEL-E462JBEZ	AC		SEAL
2-17	PSEL-C767JBEZ	AB		SEAL
2-18	PSEL-C769JBEZ	AB		SEAL
2-19	PSEL-E912JBEZ	AC		SEAL
2-20	PSEL-E913JBEZ	AC		SEAL
2-21	RCILZA090JBZZ	AU		REACTOR
2-22	RH-HXA328JBZZ	AX		THERMISTOR
2-23	QW-IZA207JBZZ	AN		LEAD WIRE
CYCLE UNIT PARTS				
3-1-1	PCMPRA845JBEZ	BZ		COMPRESSOR
3-1-2	PCOV-C149JBEZ	AH		TERMINAL COVER
3-1-3	PGUM-A250JBEZ	AC		TERMINAL GASKET
3-2	DCON-B017JBPZ	CF		CONDENSER
3-3	CVLV-B669JBKZ	BQ		REVERSE VALVE ASS'Y
3-3-1	CCIL-A209JBKZ	BD		COIL ASS'Y
3-3-2	PFPF483JBEZ	AE		SUCTION INSULATOR
3-4	DVLV-B729JBKZ	BB		EXPAN.VALVE ASS'Y
3-4-1	PGUMSA476JBEZ	AD		DAMPER RUBBER
3-5	RMOTSA077JBZZ	AY		VALVE MOTOR
3-6-1	PDAI-A406JBTA	AX		FLARE COUPLING BASE
3-6-2	DVLV-B946JBKZ	AT		2WAY VALVE UNIT
3-6-3	DVLV-B620JBKZ	AS		3WAY VALVE UNIT
3-7	PCAP-A006JBF0	AC		NUT BONNET
3-8	PCAP-A007JBF0	AB		NUT BONNET
3-9	GLEG-A162JBEZ	AF		COMPRESSOR CUSHION
3-10	CPIPCC350JBKZ	AV		HEAT TUBE ASS'Y
3-11	CCHS-B821JBKZ	BE		BASE PAN ASS'Y
3-11-1	CCHS-B715JBTA	BE		BASE PAN ASS'Y
3-11-2	PFPF480JBEZ	AC		BASE PAN INSU. A
3-11-3	PFPF481JBEZ	AC		BASE PAN INSU. C
3-11-4	PFPF482JBEZ	AC		BASE PAN INSU. B
3-11-5	PGUM-A219JBEZ	AG		TUBE HOLDER RUBBER
3-12	PFPF501JBEZ	AD		COMPRESSOR INSU. A
3-13	PFPF502JBEZ	AD		COMPRESSOR INSU. B
3-14	PSEL-E942JBEZ	AE		CONDENSER SEAL
3-16	PGUM-A298JBEZ	AG		DAMPER RUBBER
3-17	PSEL-E938JBEZ	AF		BASE PAN SEAL
3-18	PGUMSA501JBEZ	AC		DAMPER RUBBER
SCREW AND NUT				
4-1	LX-BZA493JBEZ	AE		SPECIAL SCREW

REF.No.	PARTS CODE	PRICE RANK	NEW MARK	DESCRIPTION
4-2	LX-BZA570JBEZ	AC		SPECIAL SCREW
4-3	LX-NZA428JBEZ	AC		SPECIAL NUT
4-4	XCPS730P10XS0	AD		TAPPING SCREW
4-5	XQTS740P08000	AA		TAPPING SCREW
4-6	XCPS740P30000	AC		TAPPING SCREW
4-7	XCPS740P06000	AC		TAPPING SCREW
4-10	LX-BZA498JBEZ	AC		SPECIAL SCREW
4-13	LX-NZA476JBEZ	AC		FRANGE NUT
4-14	XNFS760-50000	AB		NUT
4-15	LX-WZA057JBEZ	AC		WASHER 22
4-16	LX-NZA250JBEZ	AE		FLARE NUT 1/4
4-17	LX-BZA494JBEZ	AE		SPECIAL SCREW
4-18	LX-NZA473JBEZ	AK		BONNET
4-19	LX-NZA502JBEZ	AG		FLARE NUT
4-20	LX-NZA500JBEZ	AH		BONNET
4-21	LX-NZA501JBEZ	AH		SERVICE NUT

- PACKING PARTS

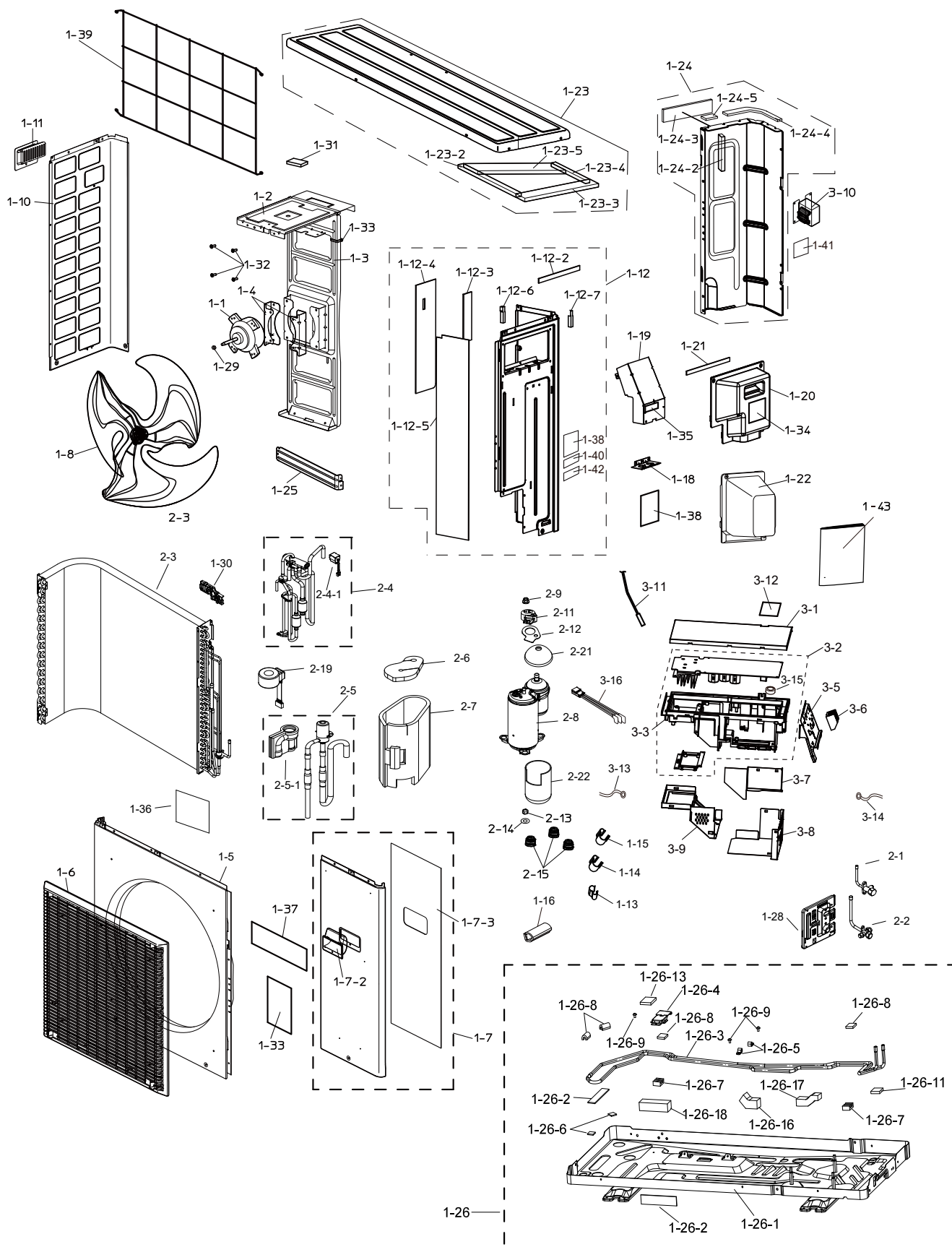


REF.No.	PARTS CODE	PRICE RANK	NEW MARK	DESCRIPTION
PACKING PARTS				
5-1	CPADBA242JBKZ	AN		BOTTOM PAD ASS'Y
5-2	CPADBA032JBKZ	AL		PACKING PAD ASS'Y
5-3	SPAKCE236JBEZ	AV		PACKING CASE
5-4	SPADP0300YDE0	AB		BAG
5-5	TLABMK797JBRZ	AD	N	PRODUCT LABEL [AE-X12CHU]
5-5	TLABMK796JBRZ	AD	N	PRODUCT LABEL [AE-X15CU]
5-6	TLAB-Q279JBRZ	AE		NO CLAMP LABEL
5-7	TLAB-Q317JBRA	AM		FIRE LABEL

[8] OUTDOOR UNIT

(AE-X18CU, AE-X18CHU, AE-X24CU)

- UNIT PARTS

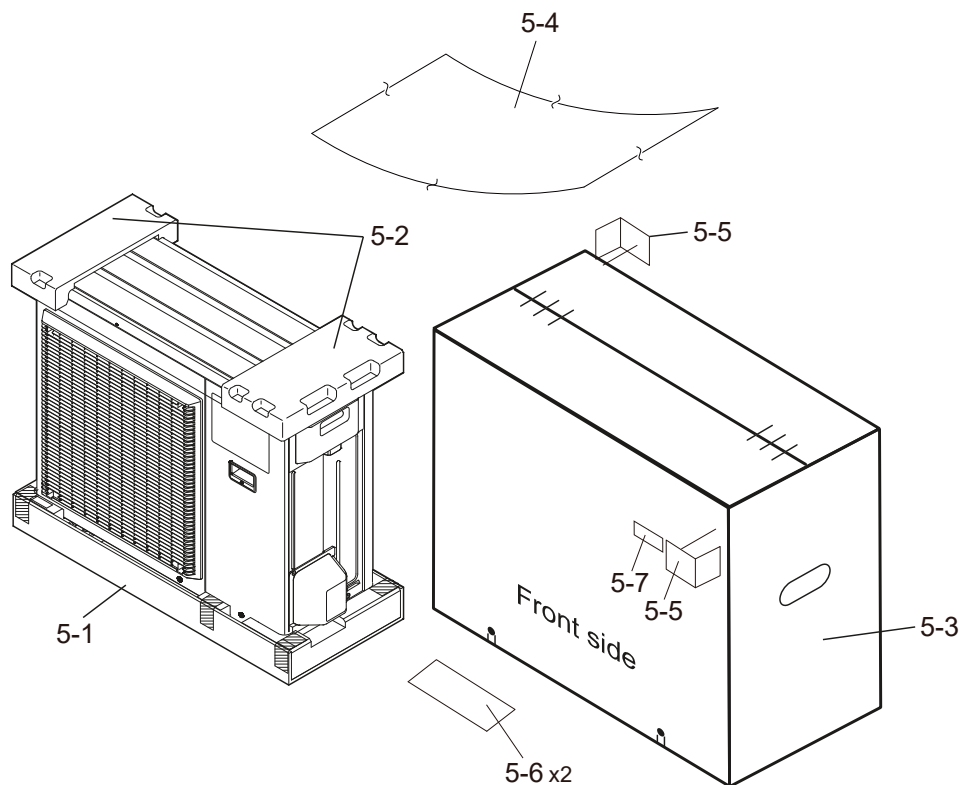


REF.No.	PARTS CODE	PRICE RANK	NEW MARK	DESCRIPTION
STRUCTURE AND CYCLE PARTS				
1-1	CMOTLB656JBEZ	BC		FAN MOTOR
1-2	LANGKA326JBTA	AN		MOTOR ANGLE T
1-3	LANGKA325JBTA	AY		MOTOR ANGLE
1-4	LANGKA324JBTA	AH		FAN MOTOR ANGLE SUB
1-5	GCAB-A555JBTA	AX		FRONT PANEL L
1-6	GGADFA056JBFA	AY		FAN GUARD
1-7	CCAB-A763JBKZ	BA		FRONT PANEL R ASS'Y
1-7-2	JHNDPA051JBFA	AG		HANDLE
1-7-3	PSPF-B182JBEZ	AY		IIR SHEET A
1-8	NFANPA152JBEZ	AY		PROPELLER FAN
1-10	GPLTMA097JBTA	AS		SIDE CABINET L
1-11	JHNDPA052JBFA	AG		HANDLE
1-12	CPLT-A293JBKZ	AY		SIDE CABINET R ASS'Y
1-12-2	PSEL-E388JBEZ	AC		SIDE CABINET R SEAL B
1-12-3	PGUMSA451JBEZ	AD		DAMPER RUBBER
1-12-4	PSPF-B329JBEZ	AG		IIR SHEET
1-12-5	PSPF-B185JBEZ	AX		IIR SHEET B
1-12-6	PSEL-E120JBEZ	AK		SIDE CABINET R SEAL
1-12-7	PSEL-E454JBEZ	AC		SEAL
1-13	MSPR-A026JBE0	AB		SPRING
1-14	MSPR-A036JBE0	AB		THERMISTOR SPRING
1-15	MSPR-A207JBEZ	AF		SPRING
1-16	PSEL-E943JBEZ	AD		THERMISTOR SEAL
1-18	LHLD-B206JBWZ	AE		CABLE HOLDER
1-19	PCOV-B982JBWZ	AK		CABLE COVER
1-20	PCOV-E035JBFA	AN		SIDE COVER 2
1-21	PSEL-E389JBEZ	AC		SIDE COVER SEAL
1-22	PCOV-E036JBFA	AL		VALVE COVER
1-23	DCAB-A218JBKZ	AY		TOP PLATE ASS'Y
1-23-2	PSEL-F182JBEZ	AH		TOP PLATE SEAL A
1-23-3	PSEL-E130JBEZ	AN		TOP PLATE SEAL B
1-23-4	PSEL-E131JBEZ	AK		TOP PLATE SEAL C
1-23-5	PSEL-F181JBEZ	AM		TOP PLATE SEAL E
1-24	CSKR-A569JBKZ	AW		BULKHEAD ASS'Y
1-24-2	PSEL-E285JBEZ	AE		BULKHEAD SEAL
1-24-3	PSEL-E286JBEZ	AD		BULKHEAD SEAL A
1-24-4	PFPFPE480JBEZ	AC		BULKHEAD SEAL B
1-24-5	PFPFPE481JBEZ	AC		BULKHEAD SEAL C
1-25	CANG-A358JBKZ	AK		ANGLE ASS'Y
1-26	CCHS-B905JBKZ	BN		BASE PAN ASS'Y
1-26-1	CCHS-B904JBTA	BE		BASE PAN SUB ASS'Y
1-26-2	PFPFPE477JBEZ	AC		BASE PAN SEAL C
1-26-3	CPIPCC620JBKZ	AZ		HEAT TUBE ASS'Y
1-26-4	LANGKA432JBTA	AY		BASE PAN ANGLE
1-26-5	LHLDW0364JBE0	AA		WIRE HOLDER
1-26-6	PFPFPE708JBEZ	AG		BASE PAN SEAL D
1-26-7	PGUM-A219JBEZ	AG		TUBE HOLDER RUBBER
1-26-8	PGUMSA501JBEZ	AC		DAMPER RUBBER
1-26-9	XCTWW40P06000	AA		TAPPING SCREW
1-26-11	PSEL-F119JBEZ	AN		BASE PAN SEAL F
1-26-13	PSEL-F120JBEZ	AN		ANGLE CUSHION

REF.No.	PARTS CODE	PRICE RANK	NEW MARK	DESCRIPTION
1-26-16	PFPF824JBEZ	AC		BASE PAN SEAL 1
1-26-17	PFPF825JBEZ	AC		BASE PAN SEAL 2
1-26-18	PFPF826JBEZ	AD		BASE PAN SEAL 3
1-28	PDAI-A292JBTA	AM		FLARE COUPLING BASE
1-29	LX-NZA428JBEZ	AC		SPECIAL NUT
1-30	LHLD-B554JBFA	AG		THERMISTOR HOLDER
1-31	PSEL-E406JBEZ	AC		MOTOR ANGLE T SEAL
1-32	LX-BZA552JBEZ	AC		TAPPING SCREW
1-33	TLAB-Q296JBEZ	AH	N	ENERGY LABEL [AE-X18CU]
1-33	TLAB-Q298JBEZ	AH	N	ENERGY LABEL [AE-X18CHU]
1-33	TLAB-Q297JBEZ	AH	N	ENERGY LABEL [AE-X24CU]
1-34	TLAB-F696JBRZ	AF		CAUTION LABEL UL
1-35	TLAB-F748JBRZ	AF		COPPER WIRE LABEL
1-36	TLABBA291JBRA	AK		PCI LABEL
1-37	TLABMJ441JBRA	AG		INVERTER LABEL
1-38	TSPC-P771JBRZ	AR	N	NAME LABEL [AE-X18CU]
1-38	TSPC-P773JBRZ	AR	N	NAME LABEL [AE-X18CHU]
1-38	TSPC-P772JBRZ	AR	N	NAME LABEL [AE-X24CU]
1-39	GGAD-A079JBTA	AW		WIRED GUARD
1-40	TLAB-Q317JBRA	AM		FIRE LABEL
1-41	TCAUSA011JBRZ	AG		WARNING COMPRESSOR
1-42	TCAUSA008JBRZ	AG		WARNING FIRE
1-43	TINS-C066JBRZ	AK	N	INSTALLATION MANUAL
2-1	DVLV-B073JBKZ	AQ		2WAY VALVE UNIT
2-2	DVLV-B820JBKZ	BQ		3WAY VALVE UNIT
2-3	DCON-B069JBPZ	CM		CONDENSER
2-4	DVLV-B822JBKZ	BS		REVERSE VALVE ASS'Y
2-5	DVLV-B843JBKZ	BB		EXPAN.VALVE ASS'Y
2-6	PSPF-B557JBEZ	AG		COMPRESSOR COVER TOP
2-7	PSPF-B328JBEZ	AS		COMPRESSOR COVER
2-8	PCMPRA845JBEZ	BZ		COMPRESSOR
2-9	LX-NZA476JBEZ	AC		FRANGE NUT
2-10	PGUMS0170JBE0	AE		DAMPER RUBBER
2-11	PCOV-C149JBEZ	AH		TERMINAL COVER
2-12	PGUM-A250JBEZ	AC		TERMINAL GASKET
2-13	XNFS760-50000	AB		NUT
2-14	LX-WZA057JBEZ	AC		WASHER 22
2-15	GLEG-A162JBEZ	AF		COMPRESSOR CUSHION
2-18	CCIL-A204JBKZ	AY		COIL ASS'Y
2-19	RMOTSA077JBZZ	AY		VALVE MOTOR
2-21	PFPF501JBEZ	AD		COMPRESSOR INSU. A
2-22	PFPF502JBEZ	AD		COMPRESSOR INSU. B
3-1	PCOV-B888JBWZ	AL		COVER
3-2	DSGY-J404JBKZ	BX	N	CONTROL BOARD UNIT (SERVICE)
3-3	LHLD-B240JBFZ	AT		HOLDER
3-5	LANG-A771JBWZ	AN		TERMINAL ANGLE
3-6	QTANZA091JBZZ	AU		TERMINAL BOARD
3-7	PBOX-A570JBWZ	AK		CONTROL BOX B
3-8	PBOX-A576JBWZ	AM		CONTROL BOX
3-9	CBOX-A082JBKZ	AQ		CONTROL BOX C ASS'Y
3-10	RCILZA054JBZZ	BC		REACTOR
3-11	RH-HXA328JBZZ	AX		THERMISTOR

REF.No.	PARTS CODE	PRICE RANK	NEW MARK	DESCRIPTION
3-12	TLABCE460JBRZ	AF		WIRING DIAGRAM
3-13	QW-VZG377JBZZ	AK		WIRE
3-14	QW-VZH384JBZZ	AD		EARTH WIRE
3-15	RFIL-A150JBEZ	AH		FERRITE CORE
3-16	QW-IZA207JBZZ	AN		LEAD WIRE

- PACKING PARTS



REF.No.	PARTS CODE	PRICE RANK	NEW MARK	DESCRIPTION
PACKING PARTS				
5-1	CPADBA164JBKZ	AZ		BOTTOM PAD ASSEMBLY
5-2	CPADBA165JBKZ	AN		PACKING PAD ASSEMBLY
5-3	SPAKCE213JBEZ	AX		PACKING CASE
5-4	SPADP0300YDE0	AB		BAG
5-5	TLABMK798JBRZ	AD	N	PRODUCT LABEL [AE-X18CU]
5-5	TLABMK800JBRZ	AD	N	PRODUCT LABEL [AE-X18CHU]
5-5	TLABMK799JBRZ	AD	N	PRODUCT LABEL [AE-X24CU]
5-6	TLAB-Q279JBRZ	AE		NO CLAMP LABEL
5-7	TLAB-Q317JBRA	AM		FIRE LABEL