

SHARP PARTS LIST

S9505AYXPC9CUT

SPLIT TYPE ROOM HEAT PUMP

MODELS

INDOOR UNIT	OUTDOOR UNIT
AY-XPC9CU	
AY-XPC12CU	
AY-XPC12CQ	AE-X3M24CU
AY-XPC18CU	
AY-XPC18CU-B	

CONTENTS

[1] INDOOR UNIT
(AY-XPC9CU,AY-XPC12CU,AY-XPC12CQ)

- UNIT PARTS.....1
- PACKING PARTS.....3

[2] INDOOR UNIT
(AY-XPC18CU).....4

[3] INDOOR UNIT
(AY-XPC18CU-B).....7

[4] OUTDOOR UNIT

- UNIT PARTS..... 10
- PACKING PARTS..... 12

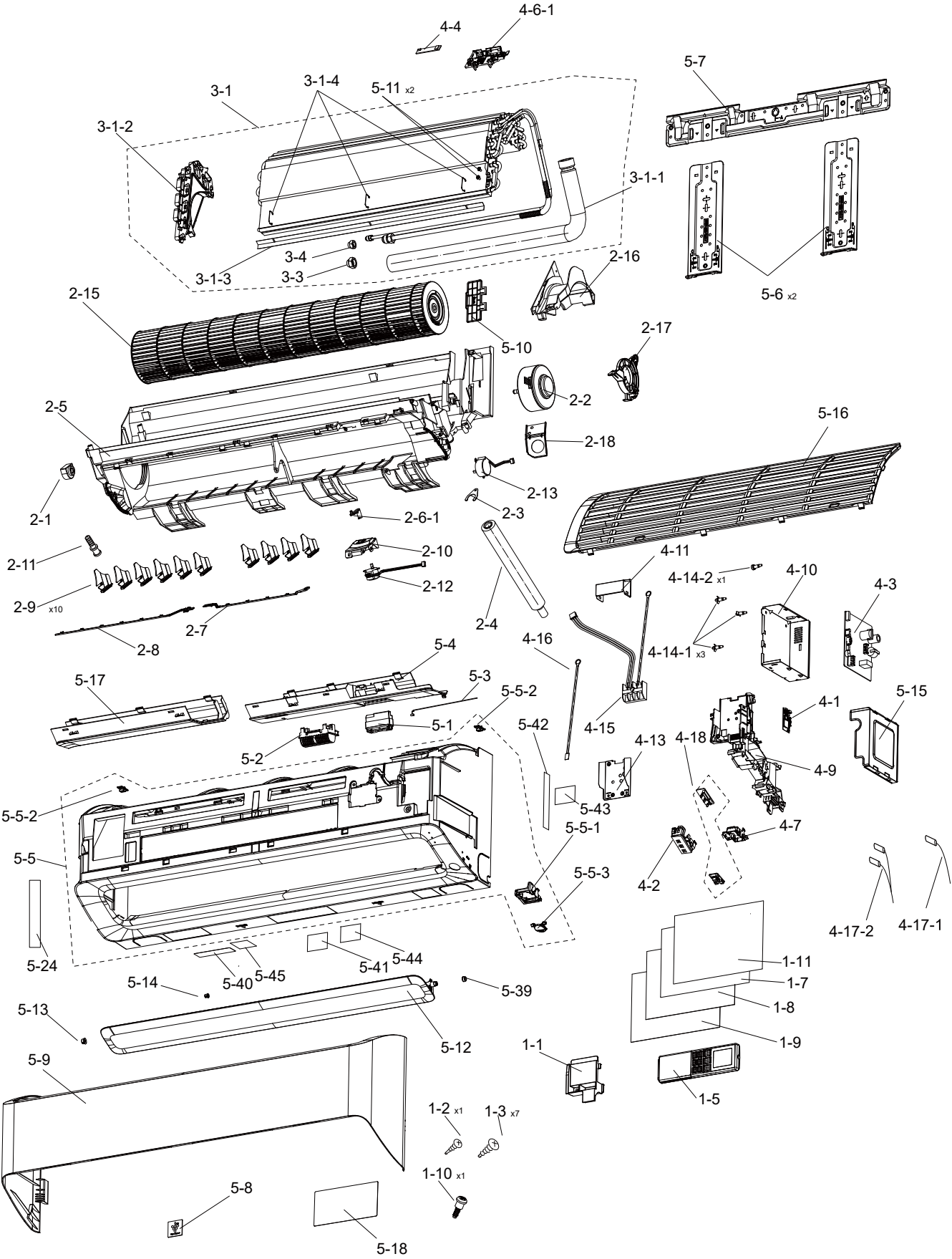
HOW TO ORDER REPLACEMENT PARTS

To have your order filled promptly and correctly, please furnish the following information.

1. MODEL NUMBER
2. REF. NO.
3. PART NO.
4. DESCRIPTION.

Parts marked with "▲" are important for maintaining the safety of the set. Be sure to replace these parts with specified ones for maintaining the safety and performance of the set.

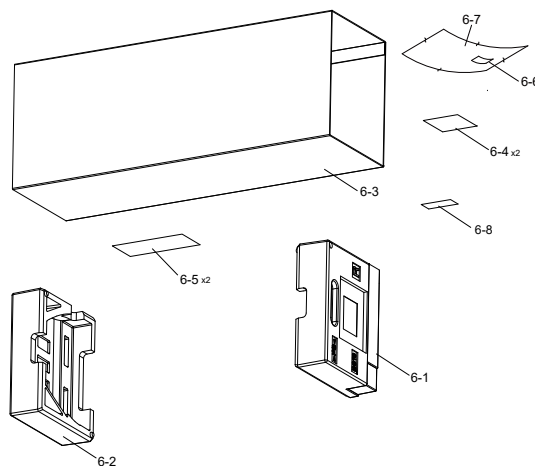
[1] INDOOR UNIT PARTS
(AY-XPC9CU, AY-XPC12CQ, AY-XPC12CU)
- UNIT PARTS



REF.No.	PARTS CODE	PRICE RANK	NEW MARK	DESCRIPTION
1-1	DHLD-A144JBKZ	AK		CORD HOLDER ASSY
1-2	XTTS740P20000	AF		TAPPING SCREW
1-3	XTTS745P30000	AC		TAPPING SCREW
1-5	CRMC-B221JBEZ	BC		REMOTE CONTROL
1-7	TINS-C068JBRZ	AK		INSTALLATION MANUAL
1-8	TINSEB174JBRZ	AK		WLAN OPERATION MANUAL
1-9	TINSEB186JBRZ	AR		OPERATION MANUAL
1-10	LX-BZA357JBEZ	AE		SPECIAL SCREW
1-11	TINS-C095JBRZ	AH		WARRANTY SHEET
2-1	CHLD-A221JBKZ	AE		BEARING ASS'Y
2-2	CMOT-A672JBKZ	BC		FAN MOTOR SUB ASS'Y
2-3	LPLT-A069JBPZ	AC		HOSE HOLDER
2-4	PHOS-A090JBEZ	AK		DRAIN HOSE
2-5	DSRA-A489JBKZ	BF		CABINET SUB ASS'Y
2-6-1	MARMPA105JBFA	AC		ARM MANUAL
2-7	MJNTPA236JBFA	AE		LOUVER LINK R
2-8	MJNTPA237JBFA	AE		LOUVER LINK L
2-9	MLOV-A661JBFA	AE		VERTICAL LOUVER
2-10	PDAI-A394JBFA	AE		MOTOR BRACKET
2-11	PGUMMA651JBEZ	AP		DRAIN PLUG
2-13	RMOT-A292JBZZ	AQ		LOUVER MOTOR
2-15	NFANCA146JBEZ	AW		CROSS FLOW FAN
2-16	PCOV-E029JBFZ	AL		SIDE COVER R
2-17	PCOV-E030JBFZ	AG		MOTOR COVER
2-18	PCOV-E024JBWZ	AM		CABLE HOLDER
3-1	CCYC-F339JBKZ	CA	N	CYCLE ASS'Y
3-1-1	PFPFPF402JBEZ	AG		PIPE DAN-S
3-1-2	PCOV-E031JBFZ	AG		SIDE COVER L
3-1-3	PSHE-A483JBEZ	AH		DRAIN GUIDE
3-1-4	LSPR-A028JBEZ	AY		DRAIN GUIDE SPRING
3-3	PSEN-A120JBKZ	AN		FLARE NUT ASS'Y
3-4	PSEN-A121JBKZ	AN		FLARE NUT ASS'Y
4-1	CPWB-A033JBKZ	BE		SERVICE-WIFI Z02
4-2	DHLD-A126JBKZ	AG		LED HOLDER R ASS'Y
4-3	DPWB-A497JBKZ	BP		CONTROL BOARD(Service)
4-4	FSGY-E705JBKZ	AK		SENSOR PWB-K
4-6-1	LHLD-B461JBFZ	AH		SENSOR HOLDER
4-7	LHLD-B507JBFZ	AE		RECEIVER HOLDER
4-9	LHLD-B511JBFA	AN		TERMINAL HOLDER
4-10	PBOX-A674JBWZ+	AM		CONTROL ANGLE
4-11	PCOV-C938JBWZ+	AG		TERMINAL COVER
4-13	PDAI-A395JBWZ+	AG		EARTH PLATE
4-14-1	PSPA-A238JBEZ	AC		SPACER
4-14-2	PSPA-A242JBEZ	AC		SPACER
4-15	QTANZA165JBZZ	AQ		TERMINAL BORAD
4-16	QW-VZH003JBZZ	AE		LEAD WIRE-E
4-17-2	RH-HXA311JBZZ	AQ		THERMISTOR
4-18	FSGY-E835JBKZ	AS		DISPLAY BOARD(Service)
5-1	CKITTA321AKKZ	BE		PLASMACLUSTER UNIT
5-2	PCOV-C940JBFA	AG		PCI COVER
5-3	QW-VZG803JBZZ	AF		LEAD WIRE
5-4	CSTB-A047JBKZ	AN		STABILIZER R SUB ASS'Y

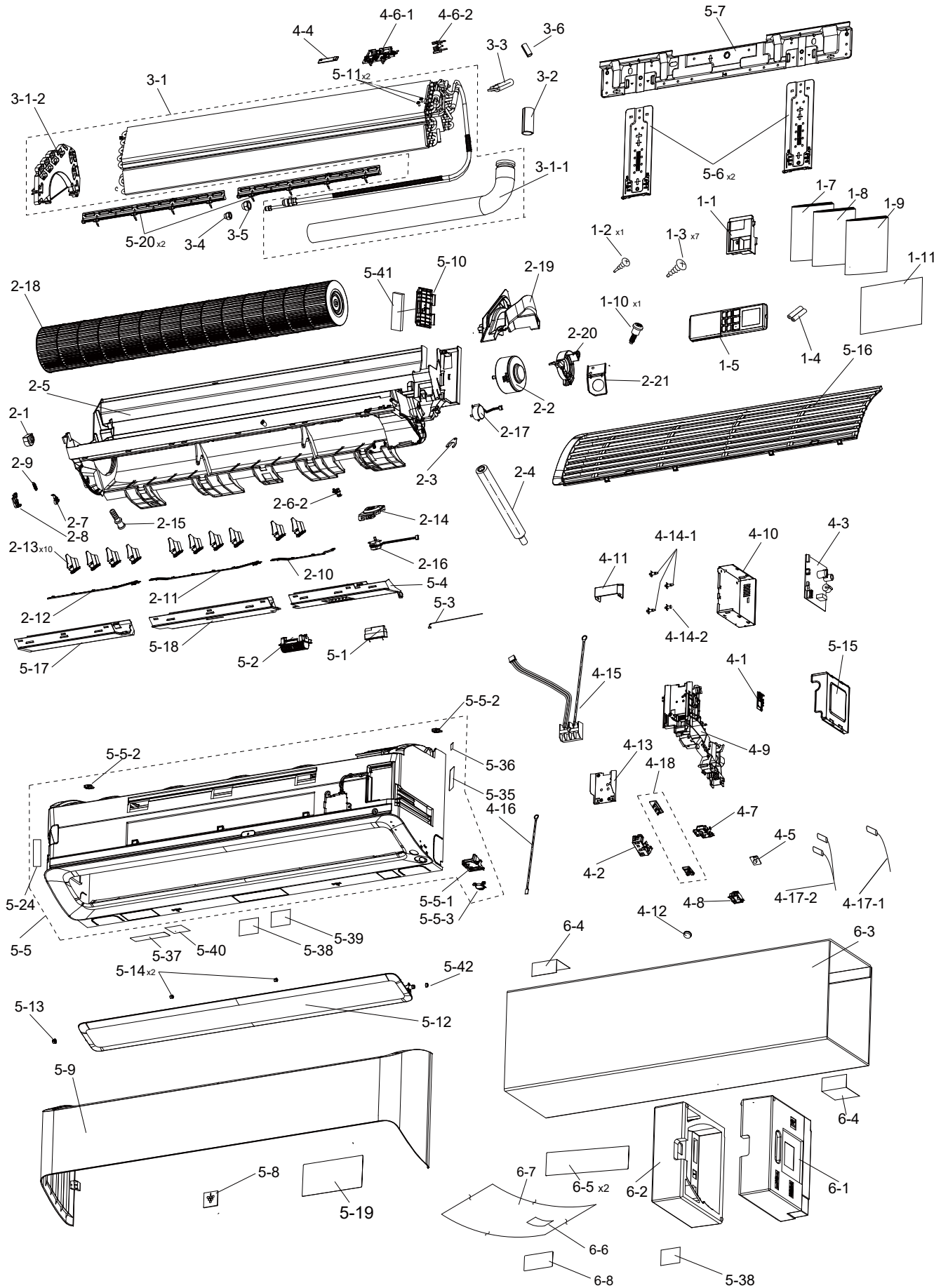
REF.No.	PARTS CODE	PRICE RANK	NEW MARK	DESCRIPTION
5-5	CWAK-E891JBKZ	BE		FRONT PANEL ASS'Y
5-5-1	LHLD-B509JBFZ	AE		BUTTON HOLDER
5-5-2	MLEV-A043JBFA	AD		PANEL LOCK
5-5-3	PCOV-C944JBFA	AE		RECEIVER COVER
5-6	PPLTNA169JBWZ	AL		MOUNTING ANGLE B
5-7	PPLTNA191JBWZ	AL		MOUNTING ANGLE A
5-8	HBDGBA001VBEB	AU		PC BADGE
5-9	HPNL-B698JBRA	BD		OPEN PANEL
5-10	LHLD-B510JBFZ	AE		PIPE HOLDER
5-11	LX-BZA075JBE0	AA		SPECIAL SCREW
5-12	MLOV-A662JBFA	AV		HORIZONTAL LOUVER
5-13	NBRG-A026JBFA	AB		LOUVER BUSHING
5-14	NBRG-A038JBFA	AC		BEARING C
5-15	PCOV-C939JBWZ+	AL		CONTROL BOX COVER
5-16	PFILMA329JBEA	AT		TOP GRILLE
5-17	PSTB-A020JBFA	AL		STABILIZER L
5-18	TLABCE518JBRZ	AH		WIRING DIAGRAM
5-24	TSPC-P785JBRA	AR	N	NAME LABEL [AY-XPC12CQ]
5-24	TSPC-P775JBRA	AR	N	NAME LABEL [AY-XPC12CU]
5-24	TSPC-P779JBRA	AR	N	NAME LABEL [AY-XPC9CU]
5-39	PCAP-A184JBEZ	AE		LOUVER CAP
5-40	TLAB-K181JBRZ	AG		CAUTION LABEL
5-41	TLAB-Q317JBRA	AM		FIRE LABEL
5-42	TCAUSA010JBRZ	AG		WARNING ELECTRIC
5-43	TCAUSA002JBRZ	AD		UL WARNING LABEL-2
5-44	TCAUSA008JBRZ	AG		WARNING FIRE

- PACKING PARTS



REF.No.	PARTS CODE	PRICE RANK	NEW MARK	DESCRIPTION
5-45	TCAUSA012JBRZ	AG		WARNING OZONE
6-1	CPADBA348JBKZ	AL		PACKING PAD R ASS'Y
6-2	SPADBB017JBEZ	AG		PAD L
6-3	SPAKCE883JBEZ	AM		PACKING CASE
6-4	TLABMK812JBRZ	AD	N	PRODUCT LABEL [AY-XPC12CQ]
6-4	TLABMK802JBRZ	AD	N	PRODUCT LABEL [AY-XPC12CU]
6-4	TLABMK806JBRZ	AD	N	PRODUCT LABEL [AY-XPC9CU]
6-5	TLAB-Q279JBRZ	AE		NO CLAMP LABEL
6-6	TLABKG295JBRZ	AG		WARNING LABEL
6-7	SSAKAA144JBEZ	AF		BAG
6-8	TLAB-Q317JBRA	AM		FIRE LABEL

[2] INDOOR UNIT PARTS
(AY-XPC18CU)

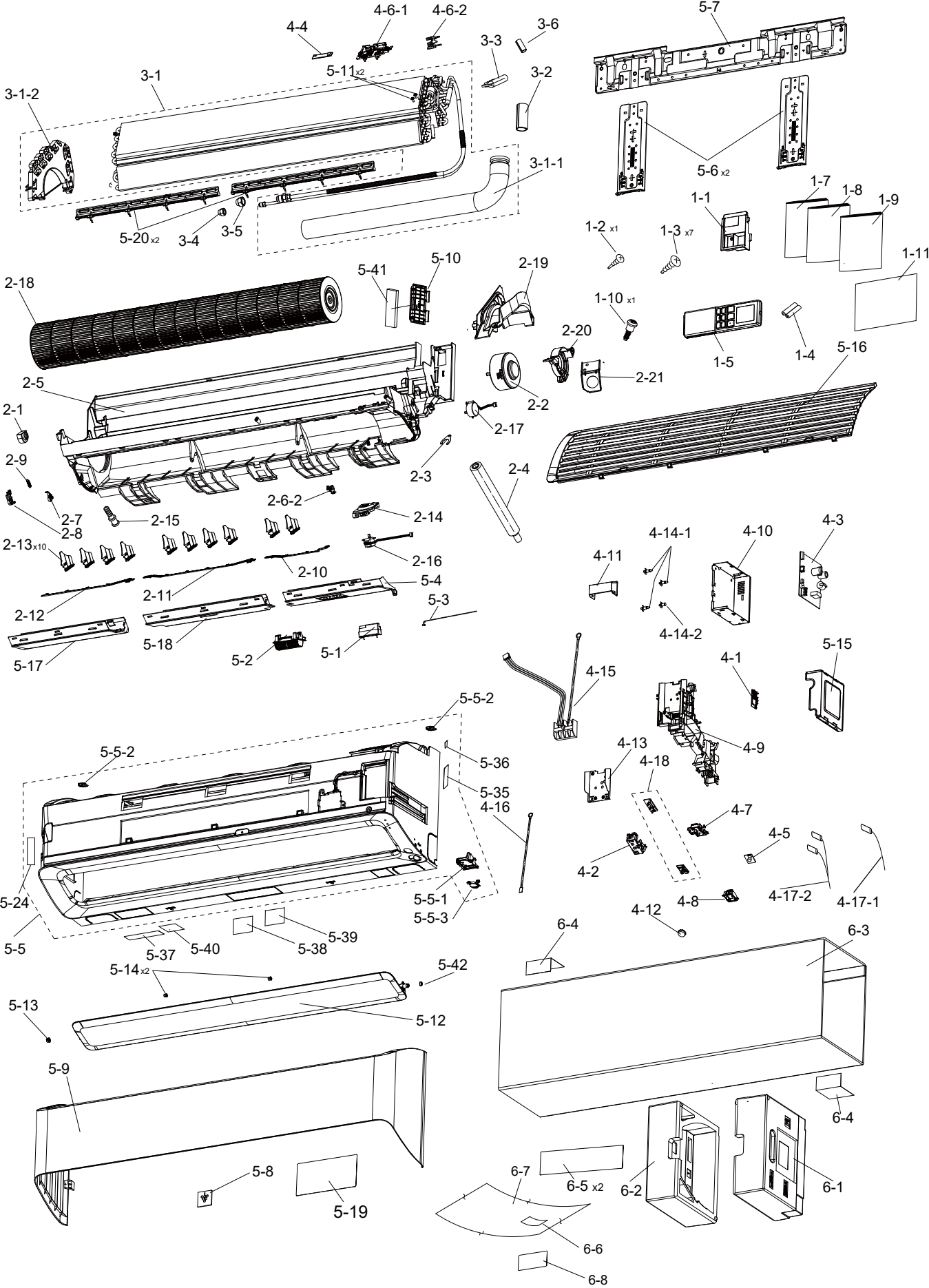


REF.No.	PARTS CODE	PRICE RANK	NEW MARK	DESCRIPTION
1-1	DHLD-A143JBKZ	AK		CORD HOLDER ASSY
1-2	XTTS740P20000	AF		TAPPING SCREW
1-3	XTTS745P30000	AC		TAPPING SCREW
1-5	CRMC-B221JBEZ	BC		REMOTE CONTROL
1-7	TINS-C068JBRZ	AK		INSTALLATION MANUAL
1-8	TINSEB174JBRZ	AK		WLAN OPERATION MANUAL
1-9	TINSEB186JBRZ	AR		OPERATION MANUAL
1-10	LX-BZA357JBEZ	AE		SPECIAL SCREW
1-11	TINS-C095JBRZ	AH		WARRANTY SHEET
2-1	CHLD-A221JBKZ	AE		BEARING ASS'Y
2-2	CMOT-A672JBKZ	BC		FAN MOTOR SUB ASS'Y
2-3	LPLT-A069JBPZ	AC		HOSE HOLDER
2-4	PHOS-A090JBEZ	AK		DRAIN HOSE
2-5	DSRA-A483JBKZ	BL		CABINET SUB ASS'Y
2-6-2	MARMPA107JBFA	AR		ARM MANUAL
2-7	LHLD-B519JBFZ	AE		LOUVER LEVER
2-8	PCOV-C960JBFZ	AE		LEVER CASE
2-9	MSPR-A223JBEZ	AC		L SPRING
2-10	MJNTPA240JBFA	AE		LOUVER LINK R
2-11	MJNTPA239JBFA	AE		LOUVER LINK C
2-12	MJNTPA238JBFA	AE		LOUVER LINK L
2-13	MLOV-A664JBFA	AE		VERTICAL LOUVER
2-14	PDAL-A399JBFA	AF		MOTOR BRACKET
2-15	PGUMMA651JBEZ	AP		DRAIN PLUG
2-17	RMOT-A292JBZZ	AQ		LOUVER MOTOR
2-18	NFANCA187JBEZ	BA		CROSS FLOW FAN
2-19	PCOV-E034JBFZ	AL		SIDE COVER R
2-20	PCOV-E033JBFZ	AG		MOTOR COVER
2-21	PCOV-E024JBWZ	AM		CABLE HOLER
3-1	CEVA-A348JBKZ	CG	N	EVAPORATOR ASS'Y
3-1-1	PFPFPF822JBEZ	AG		PIPE DAN-S
3-1-2	PCOV-E032JBFZ	AL		SIDE COVER L
3-2	PGUMSA487JBEZ	AC		DAMPER RUBBER
3-3	PGUMSA205JBE0	AC		DAMPER RUBBER
3-4	PSEN-A121JBKZ	AN		FLARE NUT ASS'Y
3-5	PSEN-A120JBKZ	AN		FLARE NUT ASS'Y
3-6	PGUMSA539JBEZ	AE		RUBBER
4-1	CPWB-A033JBKZ	BE		SERVICE-WIFI Z02
4-2	DHLD-A126JBKZ	AG		LED HOLDER R ASS'Y
4-3	DPWB-A497JBKZ	BP	N	CONTROL BOARD(Service)
4-4	FSGY-E705JBKZ	AK		SENSOR PWB-K
4-6-1	LHLD-B461JBFZ	AH		SENSOR HOLDER
4-7	LHLD-B507JBFZ	AE		RECEIVER HOLDER
4-9	LHLD-B518JBFA	AQ		TERMINAL HOLDER
4-10	PBOX-A674JBWZ+	AM		CONTROL ANGLE
4-11	PCOV-C938JBWZ+	AG		TERMINAL COVER
4-13	PDAL-A395JBWZ+	AG		EARTH PLATE
4-14-1	PSPA-A238JBEZ	AC		SPACER
4-14-2	PSPA-A242JBEZ	AC		SPACER
4-15	QTANZA165JBZZ	AQ		TERMINAL BORAD
4-16	QW-VZH003JBZZ	AE		LEAD WIRE(GROUND)
4-17-2	RH-HXA311JBZZ	AQ		THERMISTOR

REF.No.	PARTS CODE	PRICE RANK	NEW MARK	DESCRIPTION
4-18	FSGY-E835JBKZ	AS		DISPLAY BOARD(Service)
5-1	CKITTA321AKKZ	BE		PLASMA CLUSTER UNIT
5-2	PCOV-C940JBFA	AG		PCI COVER
5-3	QW-VZG803JBZZ	AF		LEAD WIRE
5-4	CSTB-A037JBKZ	AQ		STABILIZER R ASSY
5-5	CWAK-E892JBKZ	BK		FRONT PANEL ASS'Y
5-5-1	LHLD-B517JBFZ	AF		BUTTON HOLDER
5-5-2	MLEV-A045JBFA	AD		PANEL LOCK
5-5-3	PCOV-C958JBFA	AE		RECEIVER COVER
5-6	PPLTNA169JBWZ	AL		MOUNTING ANGLE B
5-7	PPLTNA189JBWZ	AT		MOUNTING ANGLE A
5-8	HBDGBA004JBEB	AG		PCI BADGE
5-9	HPNL-B699JBRA	BD		OPEN PANEL
5-10	PCOV-C304JBFA	AE		PIPE HOLDER
5-11	LX-BZA075JBE0	AA		SPECIAL SCREW
5-12	MLOV-A665JBFA	AV		HORIZONTAL LOUVER
5-13	NBRG-A026JBFA	AB		LOUVER BUSHING
5-14	NBRG-A038JBFA	AC		BEARING C
5-15	PCOV-C939JBWZ+	AM		CONTROL BOX COVER
5-16	PFILMA330JBEA	AV		TOP GRILLE
5-17	CSTB-A034JBKZ	AQ		STABILIZER L ASSY
5-18	CSTB-A035JBKZ	AR		STABILIZER C ASSY
5-19	TLABCE518JBRZ	AH	N	WIRING DIAGRAM
5-20	PCOV-E010JBFZ	AG		EVA COVER
5-24	TSPC-P780JBRA	AR	N	NAME LABEL
5-35	TCAUSA010JBRZ	AG		WARNING ELECTRIC
5-36	TCAUSA002JBRZ	AD		UL WARNING LABEL-2
5-37	TLAB-K181JBRZ	AG		CAUTION LABEL
5-38	TLAB-Q317JBRA	AM		FIRE LABEL
5-39	TCAUSA008JBRZ	AG		WARNING FIRE
5-40	TCAUSA012JBRZ	AG		WARNING OZONE
5-41	PFPPFF852JBEZ	AC		INSULATOR
5-42	PCAP-A184JBEZ	AE		LOUVER CAP
6-1	SPADBB024JBEZ	AL		PAD R
6-2	SPADBB025JBEZ	AL		PAD L
6-3	SPAKCE891JBEZ	AQ		PACKING CASE
6-4	TLABMK807JBRZ	AD	N	PRODUCT LABEL
6-5	TLAB-Q279JBRZ	AE		NO CLAMP LABEL
6-6	TLABKG295JBRZ	AG		WARNING LABEL
6-7	SSAKAA249JBEZ	AG		BAG
6-8	TLAB-Q317JBRA	AM		FIRE LABEL

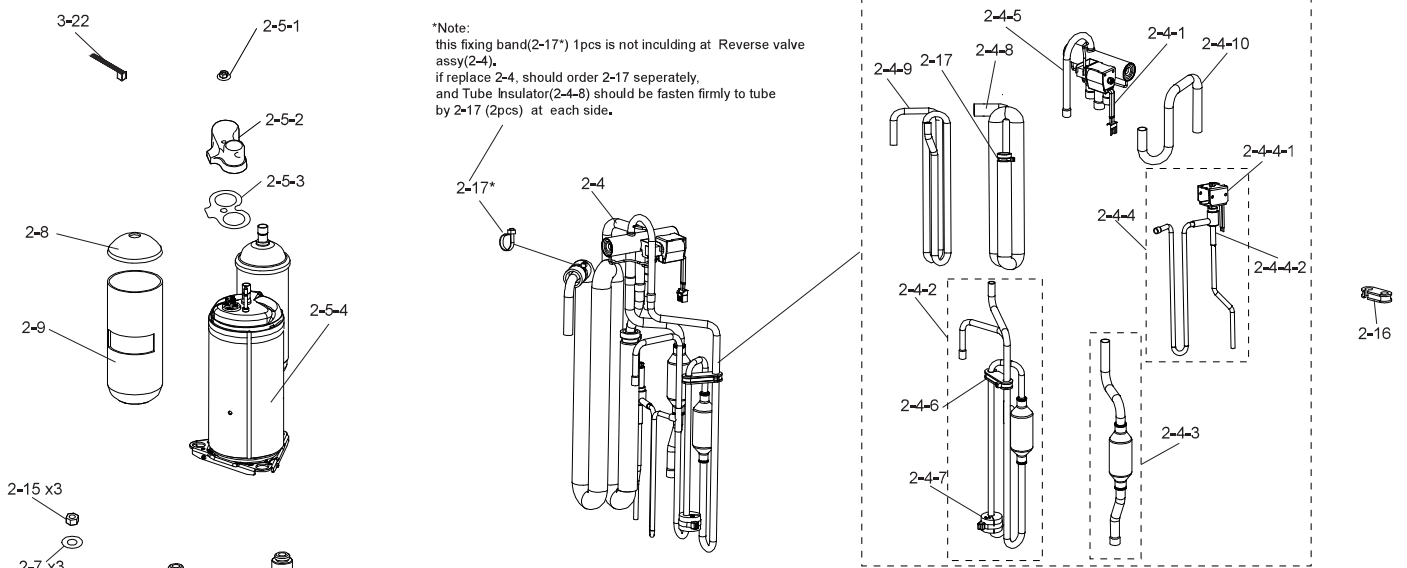
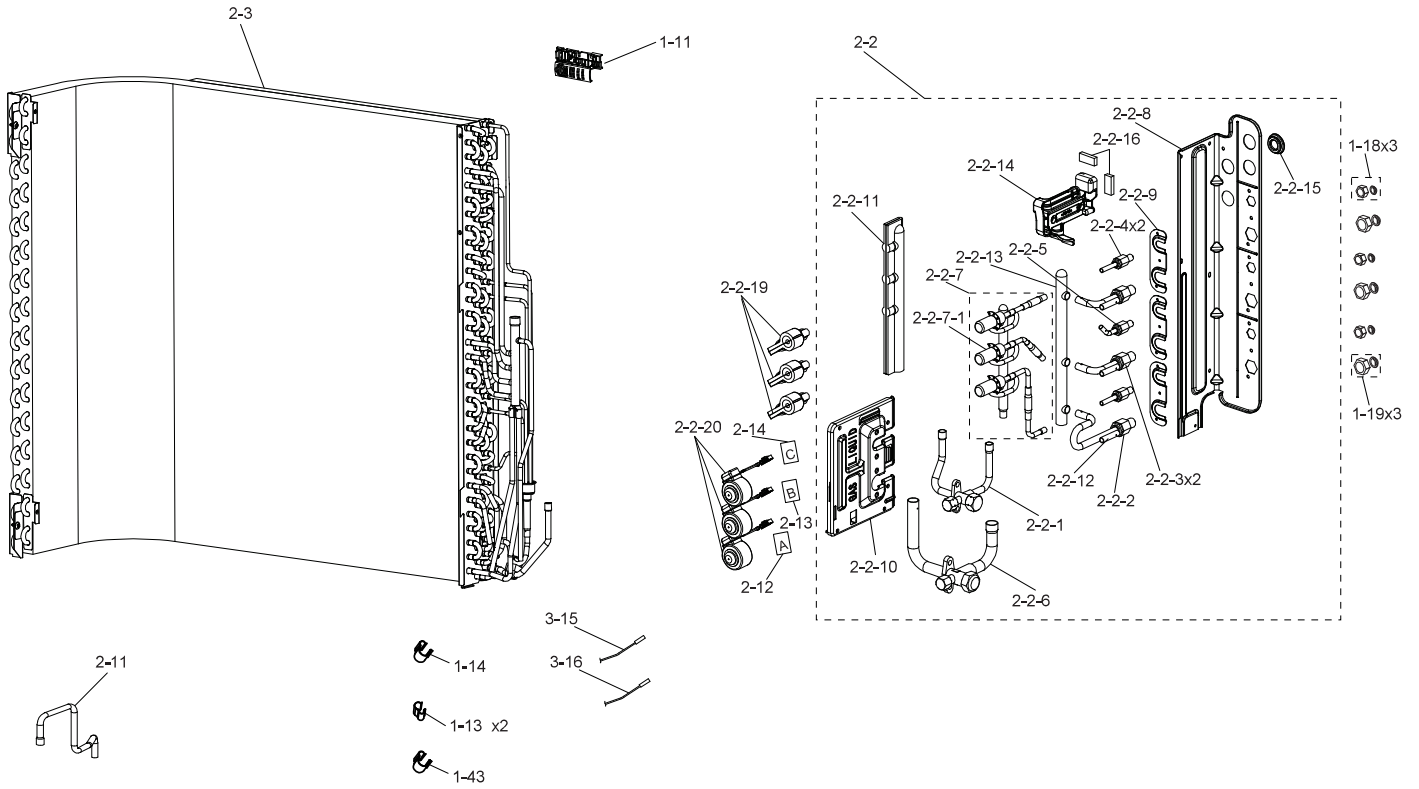
[3] INDOOR UNIT PARTS

(AY-XPC18CU-B)

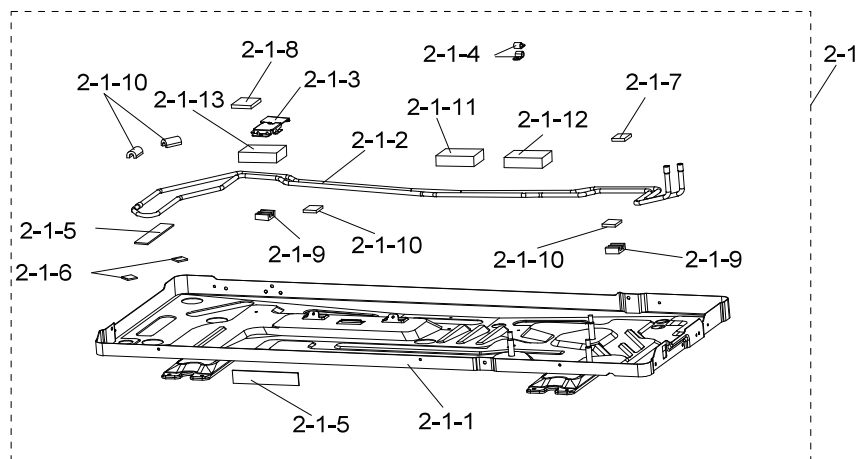


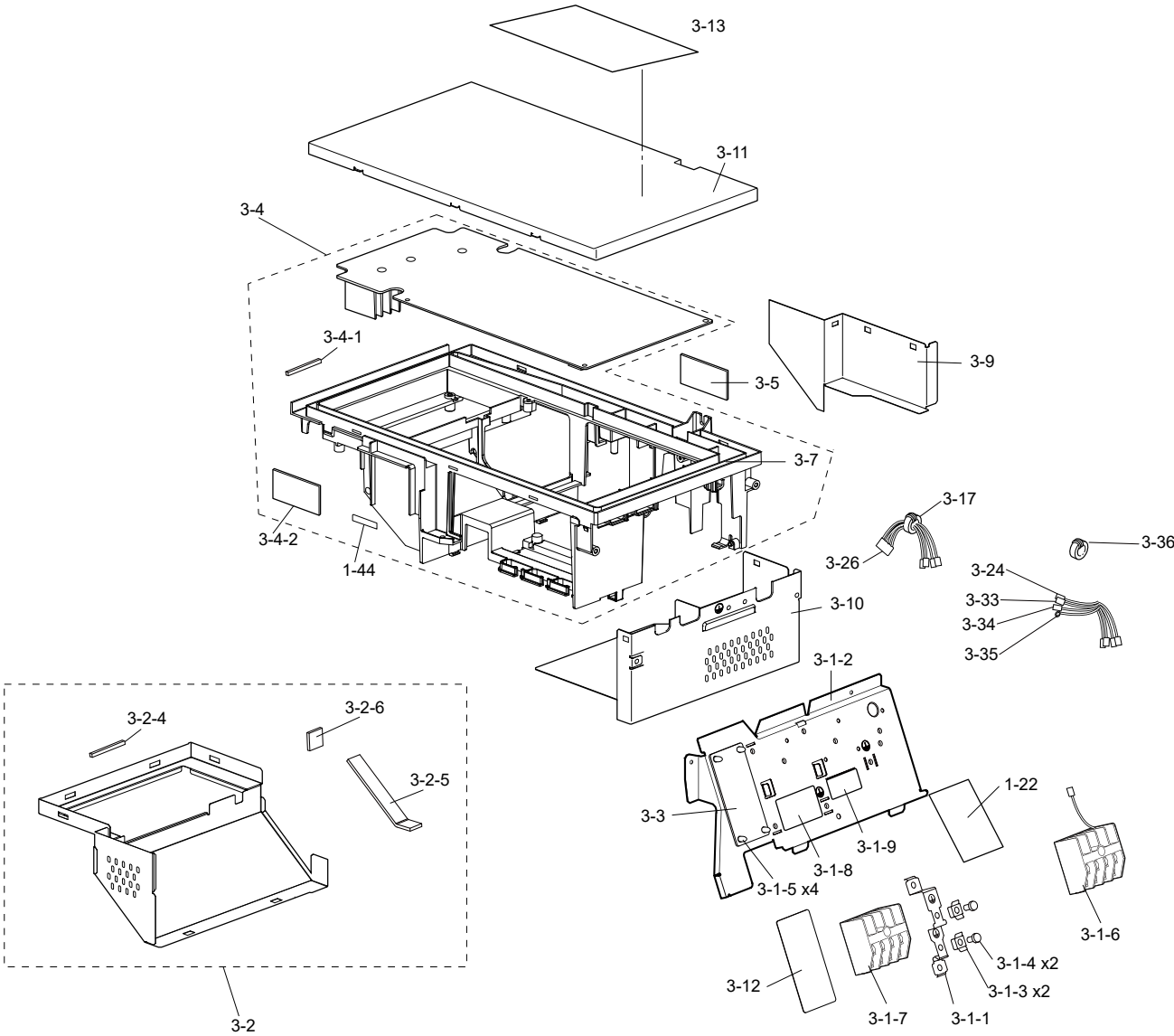
REF.No.	PARTS CODE	PRICE RANK	NEW MARK	DESCRIPTION
1-1	DHLD-A179JBKZ	AL	N	CORD HOLDER ASSY
1-2	XTTS740P20000	AF		TAPPING SCREW
1-3	XTTS745P30000	AC		TAPPING SCREW
1-5	CRMC-B221JBEZ	BC		REMOTE CONTROL
1-7	TINS-C068JBRZ	AK		INSTALLATION MANUAL
1-8	TINSEB174JBRZ	AK		WLAN OPERATION MANUAL
1-9	TINSEB186JBRZ	AR		OPERATION MANUAL
1-10	LX-BZA357JBEZ	AE		SPECIAL SCREW
1-11	TINS-C095JBRZ	AH		WARRANTY SHEET
2-1	CHLD-A221JBKZ	AE		BEARING ASS'Y
2-2	CMOT-A672JBKZ	BC		FAN MOTOR SUB ASS'Y
2-3	LPLT-A069JBPZ	AC		HOSE HOLDER
2-4	PHOS-A090JBEZ	AK		DRAIN HOSE
2-5	DSRA-A486JBKZ	BL		CABINET SUB ASS'Y
2-6-2	MARMPA107JBFC	AF	N	ARM MANUAL
2-7	LHLD-B519JBFZ	AE		LOUVER LEVER
2-8	PCOV-C960JBFZ	AE		LEVER CASE
2-9	MSPR-A223JBEZ	AC		L SPRING
2-10	MJNTPA240JBFC	AE		LOUVER LINK R
2-11	MJNTPA239JBFC	AE		LOUVER LINK C
2-12	MJNTPA238JBFC	AE		LOUVER LINK L
2-13	MLOV-A664JBFC	AE		VERTICAL LOUVER
2-14	PDAI-A399JBFC	AF		MOTOR BRACKET
2-15	PGUMMA651JBEZ	AP		DRAIN PLUG
2-17	RMOT-A292JBZZ	AQ		LOUVER MOTOR
2-18	NFANCA187JBEZ	BA		CROSS FLOW FAN
2-19	PCOV-E034JBFZ	AL		SIDE COVER R
2-20	PCOV-E033JBFZ	AG		MOTOR COVER
2-21	PCOV-E024JBWZ	AM		CABLE HOLER
3-1	CEVA-A348JBKZ	CG		EVAPORATOR ASS'Y
3-1-1	PFPFPF822JBEZ	AG		INSULATOR
3-1-2	PCOV-E032JBFZ	AL		SIDE COVER L
3-2	PGUMSA487JBEZ	AC		DAMPER RUBBER
3-3	PGUMSA205JBE0	AC		DAMPER RUBBER
3-4	PSEN-A121JBKZ	AN		FLARE NUT ASS'Y
3-5	PSEN-A120JBKZ	AN		FLARE NUT ASS'Y
3-6	PGUMSA539JBEZ	AE		RUBBER
4-1	CPWB-A033JBKZ	BE		SERVICE-WIFI Z02
4-2	DHLD-A126JBKZ	AG		LED HOLDER R ASS'Y
4-3	DPWB-A497JBKZ	BP		CONTROL BOARD(Service)
4-4	FSGY-E705JBKZ	AK		SENSOR PWB-K
4-6-1	LHLD-B461JBFZ	AH		SENSOR HOLDER
4-7	LHLD-B507JBFZ	AE		RECEIVER HOLDER
4-9	LHLD-B518JBFA	AQ		TERMINAL HOLDER
4-10	PBOX-A674JBWZ+	AM		CONTROL ANGLE
4-11	PCOV-C938JBWZ+	AG		TERMINAL COVER
4-13	PDAI-A395JBWZ+	AG		EARTH PLATE
4-14-1	PSPA-A238JBEZ	AC		SPACER
4-14-2	PSPA-A242JBEZ	AC		SPACER
4-15	QTANZA165JBZZ	AQ		TERMINAL BORAD
4-16	QW-VZH003JBZZ	AE		LEAD WIRE-E
4-17-2	RH-HXA311JBZZ	AQ		THERMISTOR

REF.No.	PARTS CODE	PRICE RANK	NEW MARK	DESCRIPTION
4-18	FSGY-E835JBKZ	AS		DISPLAY BOARD(Service)
5-1	CKITTA321AKKZ	BE		PLASMA CLUSTER UNIT
5-2	PCOV-C940JBFC	AG		PCI COVER
5-3	QW-VZG803JBZZ	AF		LEAD WIRE
5-4	CSTB-A039JBKZ	AQ		STABILIZER R ASS'Y
5-5	CWAK-E930JBKZ	BM		FRONT PANEL ASS'Y
5-5-1	LHLD-B517JBFZ	AF		BUTTON HOLDER
5-5-2	MLEV-A045JBFA	AD		PANEL LOCK
5-5-3	PCOV-C966JBFB	AE		RECEIVER COVER
5-6	PPLTNA169JBWZ	AL		MOUNTING ANGLE B
5-7	PPLTNA189JBWZ	AT		MOUNTING ANGLE A
5-8	HBDGBA004JBEB	AG		PCI BADGE
5-9	HPNL-B735JBRB	BQ		OPEN PANEL
5-10	PCOV-C304JBFA	AE		PIPE HOLDER
5-11	LX-BZA075JBE0	AA		SPECIAL SCREW
5-12	MLOV-A665JBFC	AV		HORIZONTAL LOUVER
5-13	NBRG-A026JBFQ	AQ		LOUVER BUSHING
5-14	NBRG-A038JBFR	AQ		BEARING C
5-15	PCOV-C939JBWZ+	AL		CONTROL BOX COVER
5-16	PFILMA330JBEC	AV		TOP GRILLE
5-17	CSTB-A036JBKZ	AQ		STABILIZER L
5-18	CSTB-A104JBKZ	AN		STABILIZER C
5-19	TLABCE518JBRZ	AH		WIRING DIAGRAM
5-20	PCOV-E010JBFZ	AG		EVA COVER
5-24	TSPC-P783JBRA	AR	N	NAME LABEL
5-35	TCAUSA010JBRZ	AG		WARNING ELECTRIC
5-36	TCAUSA002JBRZ	AD		UL WARNING LABEL-2
5-37	TLAB-K567JBRZ	AK		CAUTION LABEL
5-38	TLAB-Q318JBRA	AM		FIRE LABEL
5-39	TCAUSA013JBRZ	AH		WARNING FIRE
5-40	TCAUSA014JBRZ	AH		WARNING OZONE
5-41	PFPFPF852JBEZ	AC		INSULATOR
5-42	PCAP-A184JBEZ	AE		LOUVER CAP
6-1	SPADBB024JBEZ	AL		PAD R
6-2	SPADBB025JBEZ	AL		PAD L
6-3	SPAKCE891JBEZ	AQ		PACKING CASE
6-4	TLABMK810JBRZ	AD	N	PRODUCT LABEL
6-5	TLAB-Q279JBRZ	AE		NO CLAMP LABEL
6-6	TLABKG295JBRZ	AG		WARNING LABEL
6-7	SSAKAA249JBEZ	AG		BAG
6-8	TLAB-Q317JBRA	AM		FIRE LABEL

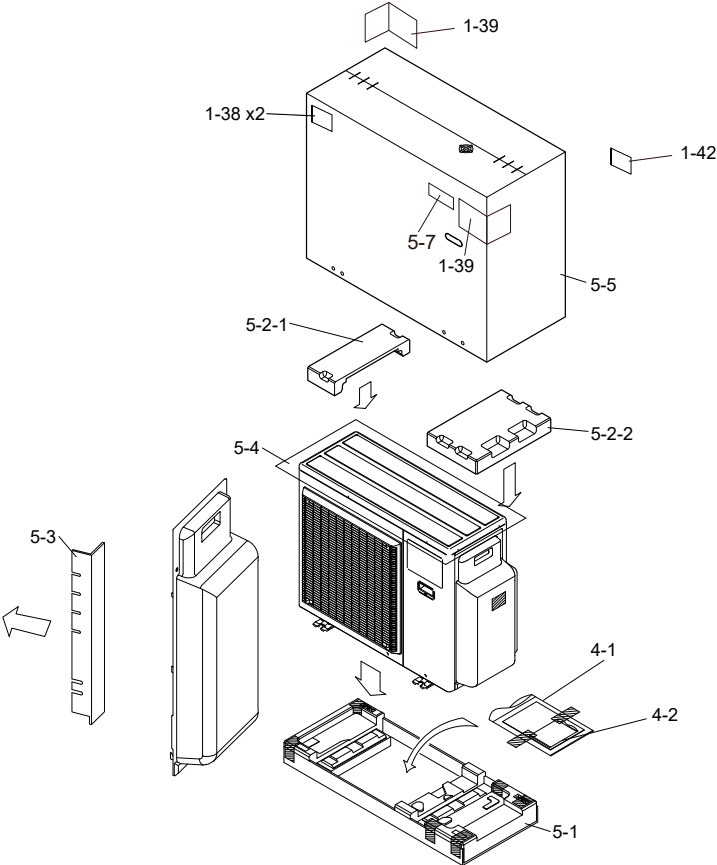


*Note:
this fixing band(2-17*) 1pcs is not including at Reverse valve
assy(2-4).
if replace 2-4, should order 2-17 separately,
and Tube Insulator(2-4-8) should be fasten firmly to tube
by 2-17 (2pcs) at each side.





- PACKING PARTS



REF.No.	PARTS CODE	PRICE RANK	NEW MARK	DESCRIPTION
1-1	CANG-A544JBKZ	AN		ANGLE ASS'Y
1-1-1	PFPFPE478JBEZ	AC		ANGLE INSULATOR
1-2	CANG-A393JBKZ	AL		MOTOR ANGLE T ASS'Y
1-2-1	PSEL-E406JBEZ	AC		MOTOR ANGLE T SEAL
1-2-2	PSEL-E498JBEZ	AC		SEAL
1-3-1	CMOTLB656JBEZ	BC		FAN MOTOR
1-3-2	LANGKA324JBTA	AH		FAN MOTOR ANGLE SUB
1-3-3	LANGKA325JBTA	AY		MOTOR ANGLE
1-3-4	LX-BZA552JBEZ	AC		SPECIAL SCREW
1-4	CCAB-A787JBKZ	BA		FRONT PANEL R ASS'Y
1-4-1	JHNDPA051JBFA	AG		HANDLE
1-5-1	GCAB-A555JBTA	AX		FRONT PANEL L
1-5-2	PSEL-F177JBEZ	AC		FRONT PANEL L SEAL A
1-5-3	GGADFA056JBFA	AY		FAN GUARD
1-7-1	GPLTMA097JBTA	AS		SIDE CABINET L
1-7-2	JHNDPA052JBFA	AG		HANDLE
1-8	CPLT-A381JBKZ	BA		SIDE CABINET R ASS'Y
1-8-2	PFPFPP005JBEZ	AD		SIDE CABINET R SEAL
1-8-3	PSEL-E388JBEZ	AC		SIDE CABINET R SEAL B
1-8-4	PSEL-E454JBEZ	AC		SEAL
1-8-7	PSEL-E593JBEZ	AD		SIDE CABINET R SEAL
1-8-8	PSEL-E594JBEZ	AD		SIDE CABINET R SEAL
1-9	CSKR-A569JBKZ	AW		BULKHEAD ASS'Y
1-9-1	PFPFPE480JBEZ	AC		BULKHEAD SEAL B
1-9-2	PFPFPE481JBEZ	AC		BULKHEAD SEAL C
1-9-3	PSEL-E285JBEZ	AE		BULKHEAD SEAL
1-9-4	PSEL-E286JBEZ	AD		BULKHEAD SEAL A
1-10	DCAB-A218JBKZ	AY		TOP PLATE ASS'Y
1-10-1	PSEL-F182JBEZ	AH		TOP PLATE SEAL A
1-10-2	PSEL-E130JBEZ	AN		TOP PLATE SEAL B
1-10-3	PSEL-E131JBEZ	AK		TOP PLATE SEAL C
1-10-4	PSEL-F181JBEZ	AM		TOP PLATE SEAL E
1-11	LHLD-B385JBFA	AE		THERMISTOR HOLDER
1-12	LHLDWA054JBEZ	AK		WIRE HOLDER
1-13	MSPR-A026JBE0	AB		SPRING
1-14	MSPR-A036JBE0	AB		THERMISTOR SPRING
1-15	NFANPA152JBEZ	AY		PROPELLER FAN
1-16	DCOV-A501JBKZ	AY		SIDE COVER ASS'Y
1-16-1	PFPFPP003JBEZ	AD		SEAL
1-16-2	PSEL-E591JBEZ	AD		SEAL
1-16-3	PSEL-F149JBEZ	AG		COVER SEAL
1-17	DCOV-A418JBKZ	AM		CABLE COVER ASS'Y
1-17-1	PSEL-E592JBEZ	AD		SEAL
1-18	PSEN-A050JBKZ	AK		FLARE NUT ASS'Y
1-19	PSEN-A051JBKZ	AL		FLARE NUT ASS'Y
1-20	PSPF-B650JBEZ	AH		COMPRESSOR COVER TOP
1-21-1	PSPF-B633JBEZ	AW		COMPRESSOR COVER
1-21-2	PSPF-B529JBEZ	AG		COMPRESSOR COVER
1-22	TLAB-B777JBRZ	AC		CAUTION LABEL IN
1-23	TLAB-K388JBRZ	AL		LABEL
1-24	TLAB-F696JBRZ	AF		CAUTION LABEL UL
1-25	TLAB-F748JBRZ	AF		UL COPPER WIRE LABEL

REF.No.	PARTS CODE	PRICE RANK	NEW MARK	DESCRIPTION
1-26	TLAB-Q299JBRA	AH	N	ENERGY LABEL
1-27	TLABBA291JBRA	AK		PCI LABEL
1-28	TLABMJ441JBRA	AG		INVERTER LABEL
1-29	TSPC-P774JBRZ	AR	N	NAME LABEL
1-30	LX-BZA493JBEZ	AE		SPECIAL SCREW
1-35	LX-NZA428JBEZ	AC		SPECIAL NUT
1-36	GGAD-A079JBTA	AW		WIRED GUARD
1-38	TLAB-Q279JBRZ	AE		NO CLAMP LABEL
1-39	TLABMK801JBRZ	AD	N	PRODUCT LABEL
1-40	TCAUSA008JBRZ	AG		WARNING FIRE
1-41	TCAUSA011JBRZ	AG		WARNING COMPRESSOR
1-42	TLAB-Q317JBRA	AM		FIRE LABEL
1-43	MSPR-A207JBEZ	AF		SPRING
1-44	TLAB-K490JBRZ	AE		LABEL
1-45	TLAB-Q300JBRZ	AH	N	INSTA. SUB MANUAL
2-1	CCHS-B878JBKZ	BP		BASE PAN ASS'Y
2-1-1	CCHS-B879JBTA	BF		BASE PAN SUB ASS'Y
2-1-2	CPIPCC576JBKZ	BA		HEAT TUBE ASS'Y
2-1-3	LANGKA432JBTA	AY		BASE PAN ANGLE
2-1-4	LHLDW0364JBE0	AA		WIRE HOLDER
2-1-5	PFPFPE477JBEZ	AC		BASE PAN SEAL C
2-1-6	PFPFPF708JBEZ	AG		BASE PAN SEAL D
2-1-7	PSEL-F119JBEZ	AN		BASE PAN SEAL F
2-1-8	PSEL-F120JBEZ	AN		ANGLE CUSHION
2-1-9	PGUM-A219JBEZ	AG		TUBE HOLDER RUBBER
2-1-10	PGUMSA501JBEZ	AC		DAMPER RUBBER
2-1-11	PFPFPF824JBEZ	AC		BASE PAN INSULATOR 1
2-1-12	PFPFPF825JBEZ	AC		BASE PAN INSULATOR 2
2-1-13	PFPFPF826JBEZ	AD		BASE PAN INSULATOR 3
2-2	DDAI-A351JBKZ	CA		FLARE COU.BASE ASS'Y
2-2-1	DVLV-B053JBKZ	AZ		3WAY VALVE UNIT L
2-2-2	DVLV-B054JBKZ	BG		FLARE UNION UNIT 3S-A
2-2-3	DVLV-B055JBKZ	BG		FLARE UNION UNIT 3S-B
2-2-4	DVLV-B056JBKZ	AX		FLARE UNION UNIT 2S-A
2-2-5	DVLV-B057JBKZ	AX		FLARE UNION UNIT 2S-B
2-2-6	DVLV-B856JBKZ	BA		3WAY VALVE UNIT G
2-2-7	DVLV-B857JBKZ	BE		EXPAN. VALVE ASS'Y
2-2-7-1	PVLVRA063JBEZ	AY		EXPANSION VALVE
2-2-8	LANG-A816JBWZ	AS		EXPANSION VALVE ANGLE
2-2-9	LSUB-A020JBWZ	AE		FLARE CUP.SUB-S
2-2-10	PDAI-A292JBTA	AM		FLARE COUPLING BASE
2-2-11	PGUMSA416JBEZ	AK		DAMPER RUBBER
2-2-12	PPIPCE511JB10	AK		THERMISTOR HOLDER
2-2-13	PPIPCE511JBEZ	BC		HEADER PIPE-L
2-2-14	LHLD-B598JBFA	AX		CABLE HOLDER
2-2-15	PCAP-A142JBEZ	AD		BESE PAN CAP 3
2-2-16	PFPFPF004JBEZ	AD		SEAL
2-2-19	PGUMSA047JBE0	AF		DAMPER RUBBER
2-2-20	RMOTSA079JBZZ	AX		VALVE MOTOR
2-3	DCON-B089JBPZ	CX		CONDENSER
2-4	DVLV-B858JBKZ	BT		REVERSE VALVE ASS'Y
2-4-1	CCIL-A204JBKZ	AY		COIL ASS'Y

REF.No.	PARTS CODE	PRICE RANK	NEW MARK	DESCRIPTION
2-4-2	DPIPCA875JBKZ	BC		DISCHARGE TUBE ASS'Y
2-4-3	DPIPCA876JBKZ	BV		LEAD TUBE ASS'Y
2-4-4	DVLV-B864JBKZ	BN		CONTROL VALVE ASS'Y
2-4-4-1	CCIL-A218JBKZ	AS		COIL ASS'Y
2-4-4-2	DVLV-A921JBEZ	BA		CONTROL VALVE
2-4-5	PVLVXA096JBEZ	BC		REVERSE VALVE
2-4-6	PGUM-0034JBE0	AF		DAMPER RUBBER
2-4-7	PGUM-A115JBEZ	AM		DAMPER RUBBER
2-4-8	PFPPFF815JBEZ	AL		SUCTION INSULATOR B
2-4-9	PPIPCP407JB1Z	BC		SUCTION TUBE
2-4-10	PPIPCP408JB1Z	AS		CONDENSER TUBE
2-5-1	LX-NZA476JBEZ	AC		FRANGE NUT
2-5-2	PCOV-C854JBEZ	AP		TERMINAL COVER
2-5-3	PGUM-A292JBEZ	AP		TERMINAL GASKET
2-5-4	PCMPRA863JBEZ	CH		COMPRESSOR
2-5-5	GLEG-A204JBEZ	AG		COMPRESSOR CUSHION
2-7	LX-WZA058JBEZ	AB		WASHER 22
2-8	PFPPFF501JBEZ	AD		COMPRESSOR INSU. A
2-9	PFPPFF798JBEZ	AG		COMPRESSOR INSU. B
2-11	PPIPCP440JB1Z	AX		LEAD TUBE C2
2-12	TLAB-C251JBRZ	AC		LABEL A
2-13	TLAB-C258JBRZ	AC		LABEL B
2-14	TLAB-C259JBRZ	AC		LABEL C
2-15	XNES780-65000	AC		NUT
2-16	PGUM-A298JBEZ	AG		DAMPER RUBBER
3-1-1	LANG-A734JBWZ	AK		EARTH ANGLE
3-1-2	LANG-A771JBWZ	AN		TERMINAL ANGLE
3-1-3	LHLD-B067JBEZ	AN		WASHER
3-1-4	XBPS740P08K00	AK		MACHINE SCREW
3-1-5	PSPA-A146JBE0	AC		SPACER
3-1-6	QTANZA164JBZZ	BA		TERMINAL BOARD
3-1-7	QTANZA096JBZZ	AV		TERMINAL BOARD
3-1-8	TLAB-F685JBRZ	AH		LABEL
3-1-9	TLAB-K364JBRZ	AG		LABEL
3-2	CBOX-A082JBKZ	AQ		CONTROL BOX C ASS'Y
3-2-4	PSEL-F173JBEZ	AC		CONTROL BOX SEAL B
3-2-5	PFPPFE485JBEZ	AC		CONTROL BOX SEAL D
3-2-6	PFPPFE486JBEZ	AC		CONTROL BOX SEAL E
3-3	DSGY-J204JBKZ	AZ		DISPLAY BOARD UNIT
3-4	DSGY-J451JBKZ	CE	N	SERVICE CONTROL BOARD UNIT
3-4-1	PSEL-F172JBEZ	AC		CONTROL BOX SEAL A
3-4-2	PSEL-F175JBEZ	AC		CONTROL BOX SEAL C
3-5	DSGY-J203JBKZ	BH		FLTER BOARD UNIT
3-7	LHLD-B240JBFZ	AT		HOLDER
3-9	PBOX-A570JBWZ	AK		CONTROL BOX B
3-10	PBOX-A576JBWZ	AM		CONTROL BOX
3-11	PCOV-B888JBWZ	AL		COVER
3-12	PSHE-A314JBEZ	AK		PROTECT SHEET
3-13	TLABCE493JBRZ	AG		WIRING DIAGRAM
3-14	RCILZA077JBZZ	BD		REACTOR
3-15	RH-HXA243JBZZ	AV		THERMISTOR(CN8A)
3-16	RH-HXA310JBZZ	AX		THERMISTOR(CN8B)

REF.No.	PARTS CODE	PRICE RANK	NEW MARK	DESCRIPTION
3-17	RFIL-A149JBEZ	AF		FERRITE CORE
3-22	QW-IZA207JBZZ	AN		COMPRESSOR CORD
3-24	QW-VZG377JBZZ	AK		LEAD WIRE (REACTOR ~ MRY1)
3-26	QW-VZH679JBZZ	AL		LEAD WIRE (TB ~ CN6)
3-33	QW-VZG685JBZZ	AG		LEAD WIRE (TB L2 ~ TB L2)
3-34	QW-VZG686JBZZ	AG		LEAD WIRE (TB L1 ~ TB L1)
3-35	QW-VZG632JBZZ	AE		LEAD WIRE (TB ~ BOX)
3-36	RFIL-A150JBEZ	AH		FERRITE CORE
4-1	DFKS-A205JBKZ	AF		BAG ASSEMBLY
4-2	TINS-C067JBRZ	AK	N	INSTALLATION MANUAL
5-1	CPADBA161JBKZ	AZ		BOTTOM PAD ASS'Y
5-2-1	SPADBA532JBEZ	AK		TOP PAD L
5-2-2	SPADBA533JBEZ	AK		TOP PAD R
5-3	SPADBA771JBRZ	AF		PACKING PAD
5-4	SPADP0300YDE0	AB		BAG
5-5	SPAKCE501JBEZ	AX		PACKING CASE
5-7	TLAB-Q317JBRA	AM		FIRE LABEL